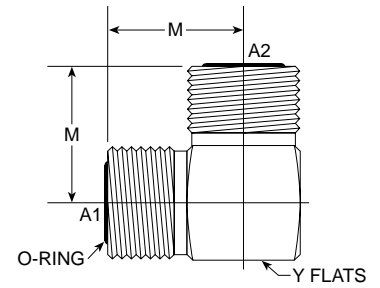


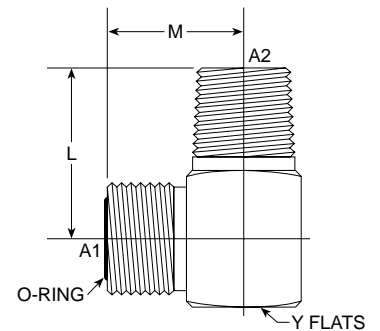
MFS-MFS 90° FS2500 Series

SAE # 520201



PART NO. SIZE	TUBE O.D.	A1 THREAD	A2 THREAD	M LGTH	M.M.	Y FLATS	Y FLATS	M.M.	Standard Material From Stock			
									S	FG	SS	B
FS2500-04-04	1/4	9/16-18	9/16-18	0.850	21.59	9/16	0.562	14.27	•	•		
FS2500-06-06	3/8	11/16-16	11/16-16	0.980	24.89	3/4	0.750	19.05	•	•		
FS2500-08-08	1/2	13/16-16	13/16-16	1.100	27.94	3/4	0.750	19.05	•	•		
FS2500-10-10	5/8	1-14	1-14	1.310	33.27	1 1/16	1.062	26.97	•	•		
FS2500-12-12	3/4	1 3/16-12	1 3/16-12	1.470	37.34	1 3/16	1.188	30.17	•	•		
FS2500-16-16	1	1 7/16-12	1 7/16-12	1.640	41.66	1 7/16	1.438	36.52	•	•		
FS2500-20-20	1 1/4	1 11/16-12	1 11/16-12	1.760	44.70	1 5/8	1.625	41.27	•	•		
FS2500-24-24	1 1/2	2-12	2-12	1.920	48.77	1 7/8	1.875	47.62	•	•		

MFS-MP 90° FS2501 Series



PART NO. SIZE	TUBE O.D.	A1 THREAD	A2 THREAD	L LGTH	M.M.	M LGTH	M.M.	Y FLATS	Y FLATS	M.M.	Standard Material From Stock			
											S	FG	SS	B
FS2501-04-02	1/4	9/16-18	1/8-27	0.800	20.32	0.850	21.59	9/16	0.562	14.27	•	•		
FS2501-04-04	1/4	9/16-18	1/4-18	1.120	28.45	0.850	21.59	9/16	0.562	14.27	•	•		
FS2501-04-06	1/4	9/16-18	3/8-18	1.220	30.99	0.970	24.64	3/4	0.750	19.05	•	•		
FS2501-06-04	3/8	11/16-16	1/4-18	1.090	27.69	0.980	24.89	3/4	0.750	19.05	•	•		
FS2501-06-06	3/8	11/16-16	3/8-18	1.220	30.99	0.980	24.89	3/4	0.750	19.05	•	•		
FS2501-06-08	3/8	11/16-16	3/8-18	1.470	37.34	1.150	29.21	7/8	0.875	22.22	•	•		
FS2501-08-04	1/2	13/16-16	1/4-18	1.220	30.99	1.100	27.94	3/4	0.750	19.05	•	•		
FS2501-08-06	1/2	13/16-16	3/8-18	1.220	30.99	1.100	27.94	3/4	0.750	19.05	•	•		
FS2501-08-08	1/2	13/16-16	1/2-14	1.470	37.34	1.100	27.94	1 7/8	1.875	47.62	•	•		
FS2501-08-12	1/2	13/16-16	3/4-14	1.470	37.34	1.320	33.53	1 1/16	1.062	26.97	•	•		
FS2501-10-08	5/8	1-14	1/2-14	1.470	37.34	1.310	33.27	1 1/16	1.062	26.97	•	•		
FS2501-10-12	5/8	1-14	3/4-14	1.590	40.39	1.410	35.81	1 3/16	1.188	30.17	•	•		
FS2501-12-08	3/4	1 3/16-12	1/2-14	1.590	40.39	1.470	37.34	1 3/16	1.188	30.17	•	•		
FS2501-12-12	3/4	1 3/16-12	3/4-14	1.590	40.39	1.470	37.34	1 3/16	1.188	30.17	•	•		
FS2501-12-16	3/4	1 3/16-12	1-11 1/2	1.970	50.04	1.620	41.15	1 5/16	1.312	33.32	•	•		
FS2501-16-12	1	1 7/16-12	3/4-14	1.780	45.21	1.64	41.66	1 7/16	1.438	36.53	•	•		
FS2501-16-16	1	1 7/16-12	1-11 1/2	1.970	50.04	1.640	41.66	1 7/16	1.438	36.52	•	•		
FS2501-16-20	1	1 7/16-12	1 1/4-11 1/2	2.380	60.45	1.760	44.70	1 5/8	1.625	41.27	•	•		
FS2501-20-16	1 1/4	1 11/16-12	1-11 1/2	2.350	59.69	1.76	44.70	1 5/8	1.625	41.28	•	•		
FS2501-20-20	1 1/4	1 11/16-12	1 1/4-11 1/2	2.380	60.45	1.760	44.70	1 5/8	1.625	41.27	•	•		
FS2501-24-24	1 1/2	2-12	1 1/2-11 1/2	2.640	67.06	1.920	48.77	1 7/8	1.875	47.62	•	•		