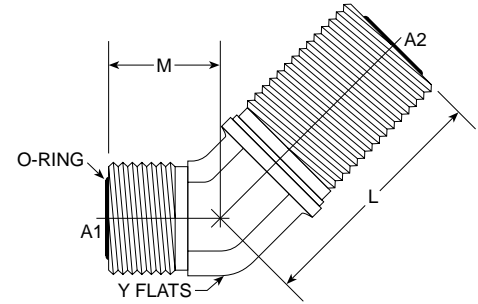


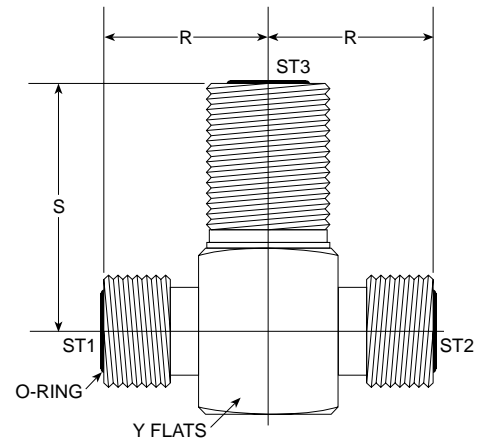
MFS-MFS Bulkhead 45° FS2702 Series

SAE# 520801



PART NO. SIZE	TUBE O.D.	A1 THREAD	A2 THREAD	L LGTH	M.M.	M LGTH	M.M.	Y FLATS	Y FLATS	M.M.	PLATE MAX	Standard Material From Stock			
												S	FG	SS	B
FS2702-04-04	1/4	9/16-18	9/16-18	1.730	43.94	0.630	16.00	9/16	0.562	14.27	1/2	•	•		
FS2702-06-06	3/8	11/16-16	11/16-16	1.910	48.51	0.740	18.80	3/4	0.750	19.05	35/64	•	•		
FS2702-08-08	1/2	13/16-16	13/16-16	2.010	51.05	0.800	20.32	3/4	0.750	19.05	35/64	•	•		
NEW FS2702-10-08															
FS2702-10-10	5/8	1-14	1-14	2.230	56.64	0.920	23.37	1 1/16	1.062	26.97	35/64	•	•		
FS2702-12-12	3/4	1 3/16-12	1 3/16-12	2.390	60.71	1.020	25.91	1 3/16	1.188	30.17	35/64	•	•		
FS2702-16-16	1	1 7/16-12	1 7/16-12	2.570	65.28	1.180	29.97	1 7/16	1.438	36.52	35/64	•	•		
FS2702-20-20	1 1/4	1 11/16-12	1 11/16-12	2.640	67.06	1.260	32.00	1 5/8	1.625	41.27	35/64	•	•		
FS2704-24-24	1 1/2	2-14	2-14	2.640	67.06	1.450	36.83	1 7/8	1.875	47.62	35/64	•	•		

MFS-MFS-Bulkhead Tee FS2703 Series



PART NO. SIZE	TUBE O.D.	ST1 THREAD	ST2 THREAD	ST3 THREAD	S LGTH	M.M.	R LGTH	M.M.	Y FLATS	Y FLATS	M.M.	PLATE MAX	Standard Material From Stock			
													S	FG	SS	B
FS2703-04-04-04	1/4	9/16-18	9/16-18	9/16-18	1.850	46.99	0.89	22.61	9/16	0.562	14.27		•			
FS2703-06-06-06	3/8	11/16-16	11/16-16	11/16-16	2.050	52.07	1.02	25.91	3/4	0.750	19.05		•			
FS2703-08-08-08	1/2	13/16-12	13/16-12	13/16-12	2.180	55.37	1.14	28.96	3/4	0.750	19.05		•			
FS2703-12-12-12	3/4	1 3/16-12	1 3/16-12	1 3/16-12	2.650	67.31	1.52	38.61	1 3/16	1.188	30.18		•			