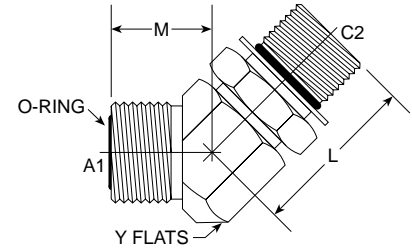


O-ring Face Seal Fittings

MFS-MAORB 45° FS6802-NWO Series

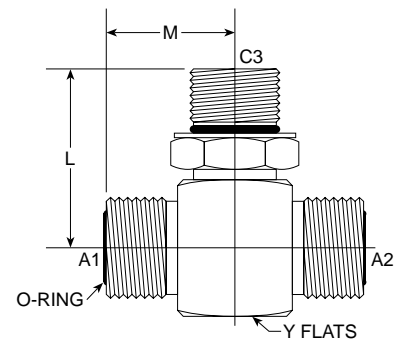
SAE # 520320



PART NO. SIZE	TUBE O.D.	A1 THREAD	C2 THREAD	L LGTH	M.M.	M LGTH	M.M.	Y FLATS	Y FLATS	M.M.	Standard Material From Stock			
											S	FG	SS	B
FS6802-04-04-NWO	1/4	9/16-18	7/16-20	1.180	29.97	0.630	16.00	9/16	0.562	14.27	•	•		
FS6802-04-06-NWO	1/4	9/16-18	9/16-18	1.300	33.02	0.690	17.53	3/4	0.750	19.05	•	•		
FS6802-06-04-NWO	3/8	11/16-16	7/16-20	1.220	30.99	0.740	18.80	3/4	0.750	19.05	•	•		
FS6802-06-06-NWO	3/8	11/16-16	9/16-18	1.300	33.02	0.740	18.80	3/4	0.750	19.05	•	•		
FS6802-06-08-NWO	3/8	11/16-16	3/4-16	1.450	36.83	0.740	18.80	3/4	0.750	19.05	•	•		
NEW FS6802-06-10-NWO												•		
FS6802-08-06-NWO	1/2	13/16-16	9/16-18	1.270	32.26	0.800	20.32	3/4	0.750	19.05	•	•		
FS6802-08-08-NWO	1/2	13/16-16	3/4-16	1.430	36.32	0.800	20.32	3/4	0.750	19.05	•	•		
FS6802-08-10-NWO	1/2	13/16-16	7/8-14	1.760	44.70	0.840	21.34	3/4	0.750	19.05	•	•		
FS6802-10-08-NWO	5/8	1-14	3/4-16	1.590	40.39	0.920	23.27	1 1/16	1.062	26.97	•	•		
FS6802-10-10-NWO	5/8	1-14	7/8-14	1.760	44.70	0.920	23.37	1 1/16	1.062	26.97	•	•		
FS6802-10-12-NWO	5/8	1-14	1 1/16-12	1.970	50.04	0.980	24.89	1 3/16	1.188	30.17	•	•		
FS6802-12-10-NWO	3/4	1 3/16-12	7/8-14	1.810	45.98	1.020	25.91	1 3/16	1.188	30.17	•	•		
FS6802-12-12-NWO	3/4	1 3/16-12	1 1/16-12	1.970	50.04	1.020	25.91	1 3/16	1.188	30.17	•	•		
FS6802-12-16-NWO	3/4	1 3/16-12	1 5/16-12	2.060	52.33	1.020	25.91	1 7/16	1.438	36.52	•	•		
FS6802-16-12-NWO	1	1 7/16-12	1 1/16-12	2.030	51.57	1.180	29.97	1 7/16	1.438	36.52	•	•		
FS6802-16-16-NWO	1	1 7/16-12	1 5/16-12	2.060	52.33	1.180	29.97	1 7/16	1.438	36.52	•	•		
FS6802-16-20-NWO	1	1 7/16-12	1 5/8-12	2.250	57.15	1.260	32.00	1 5/8	1.625	41.27	•	•		
FS6802-20-20-NWO	1 1/4	1 11/16-12	1 5/8-12	2.110	53.59	1.260	32.00	1 5/8	1.625	41.27	•	•		
FS6802-24-24-NWO	1 1/2	2-12	1 7/8-12	2.110	53.59	1.450	36.83	1 7/8	1.875	47.62	•	•		

MFS-MFS-MAORB Tee FS6803-NWO Series

SAE # 520429



PART NO. SIZE	TUBE O.D.	A1 THREAD	A2 THREAD	C3 THREAD	L LGTH	M.M.	M LGTH	M.M.	Y FLATS	Y FLATS	M.M.	Standard Material From Stock			
												S	FG	SS	B
FS6803-04-04-04-NWO	1/4	9/16-18	9/16-18	7/16-20	1.290	32.77	0.850	21.59	9/16	0.562	14.27	•	•		
FS6803-06-06-06-NWO	3/8	11/16-16	11/16-16	9/16-18	1.450	36.83	0.980	24.89	3/4	0.750	19.05	•	•		
FS6803-08-08-08-NWO	1/2	13/16-16	13/16-16	3/4-16	1.600	40.64	1.100	27.94	3/4	0.750	19.05	•	•		
FS6803-10-10-10-NWO	5/8	1-14	1-14	7/8-14	1.970	50.04	1.310	33.27	1 1/16	1.062	26.97	•	•		
FS6803-12-12-12-NWO	3/4	1 3/16-12	1 3/16-12	1 1/16-12	2.170	55.12	1.470	37.34	1 3/16	1.188	30.17	•	•		
FS6803-16-16-16-NWO	1	1 7/16-12	1 7/16-12	1 5/16-12	2.350	59.69	1.640	41.66	1 7/16	1.438	36.52	•	•		
FS6803-20-20-20-NWO	1 1/4	1 11/16-12	1 11/16-12	1 5/8-12	2.450	62.23	1.760	44.70	1 5/8	1.625	41.27	•	•		