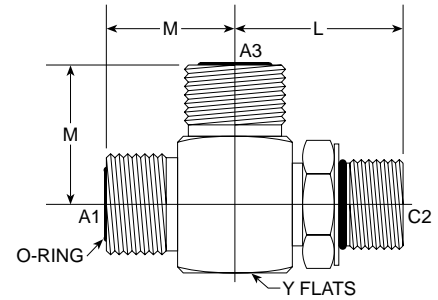


MFS-MAORB-MFS Tee FS6804-NWO Series

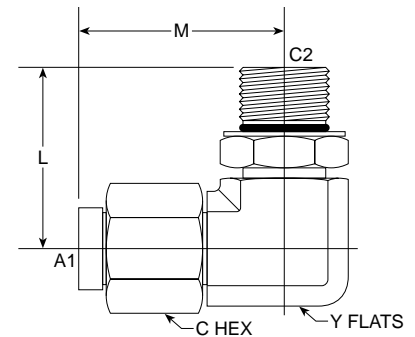
SAE # 520428



PART NO. SIZE	TUBE O.D.	A1 THREAD	C2 THREAD	A3 THREAD	L LGTH	M.M.	M LGTH	M.M.	Y FLATS	Y FLATS	M.M.	Standard Material From Stock			
												S	FG	SS	B
FS6804-04-04-04-NWO	1/4	9/16-18	7/16-20	9/16-18	1.290	32.77	0.850	21.59	9/16	0.562	14.27	•	•		
FS6804-04-06-04-NWO	1/4	9/16-18	9/16-18	9/16-18	1.450	36.83	0.920	23.37	3/4	0.750	19.05	•	•		
FS6804-06-04-06-NWO	3/8	11/16-16	11/16-16	7/16-20	1.370	34.80	0.980	24.89	3/4	0.750	19.05	•	•		
FS6804-06-06-06-NWO	3/8	11/16-16	9/16-18	11/16-16	1.450	36.83	0.980	24.89	3/4	0.750	19.05	•	•		
FS6804-08-06-08-NWO	1/2	13/16-16	13/16-16	9/16-18	1.440	36.58	1.100	27.94	3/4	0.750	19.05	•	•		
FS6804-08-08-08-NWO	1/2	13/16-16	3/4-16	13/16-16	1.600	40.64	1.100	27.94	3/4	0.750	19.05	•	•		
FS6804-08-12-08-NWO	1/2	13/16-16	13/16-12	1 1/16-12	2.170	55.12	1.320	33.53	1 3/16	1.188	30.18	•	•		
FS6804-10-10-10-NWO	5/8	1-14	7/8-14	1-14	1.970	50.04	1.310	33.27	1 1/16	1.062	26.97	•	•		
NEW FS6804-10-12-10-NWO															
FS6804-12-12-12-NWO	3/4	1 3/16-12	1 1/16-12	1 3/16-12	2.170	55.12	1.470	37.34	1 3/16	1.188	30.17	•	•		
FS6804-16-16-16-NWO	1	1 7/16-12	1 5/16-12	1 7/16-12	2.350	59.69	1.640	41.66	1 7/16	1.437	36.50	•	•		
FS6804-20-20-20-NWO	1 1/4	1 11/16-12	1 5/8-12	1 11/16-12	2.450	62.23	1.760	44.70	1 5/8	1.625	41.27	•	•		
FS6804-24-24-24-NWO	1 1/2	2-12	1 7/8-12	2-12	2.590	65.79	1.920	48.77	1 7/8	1.875	47.62	•	•		

FFSS-MAORB 90° FS6809-NWO Series

SAE # 520281



PART NO. SIZE	TUBE O.D.	A1 THREAD	C2 THREAD	L LGTH	M.M.	M LGTH	M.M.	C HEX	C HEX	M.M.	Y FLATS	Y FLATS	M.M.	Standard Material From Stock			
														S	FG	SS	B
FS6809-04-04-NWO	1/4	9/16-18	7/16-20	1.290	32.77	1.040	26.42	11/16	0.688	17.47	9/16	0.562	14.27	•	•		
FS6809-06-06-NWO	3/8	11/16-16	9/16-18	1.450	36.83	1.150	29.21	13/16	0.812	20.62	3/4	0.750	19.05	•	•		
FS6809-08-08-NWO	1/2	13/16-16	3/4-16	1.600	40.64	1.490	37.85	15/16	0.937	23.80	3/4	0.750	19.05	•	•		
FS6809-10-10-NWO	5/8	1-14	7/8-14	1.970	50.04	1.620	41.25	1 1/8	1.125	28.57	1 1/16	1.062	26.97	•	•		
FS6809-12-12-NWO	3/4	1 3/16-12	1 1/16-12	2.170	55.12	1.820	46.23	1 3/8	1.387	34.23	1 3/16	1.188	30.17	•	•		
FS6809-16-16-NWO	1	1 3/16-12	1 5/16-12	2.350	59.69	2.100	53.34	1 5/8	1.625	41.27	1 7/16	1.437	36.50	•	•		