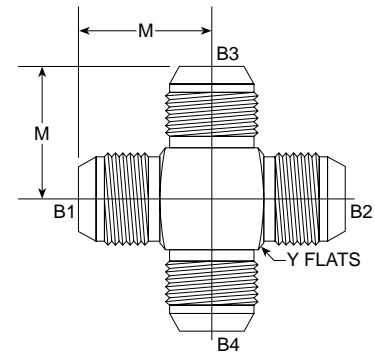


MJ-MJ-MJ-MJ Cross 2650 Series

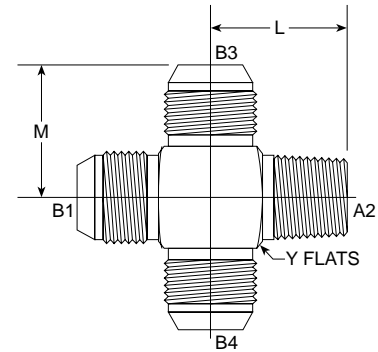
SAE# 070501 / MS# 51517



NEW

PART NO. SIZE	TUBE O.D.	B1 SAE 37	B2 SAE 37	B3 SAE 37	B4 SAE 37	M LGTH	M.M.	Y FLATS	Y FLATS	M.M.	Standard Material From Stock			
											S	FG	SS	B
2650-04-04-04-04	1/4	7/16-20	7/16-20	7/16-20	7/16-20	0.890	22.61	1/2	0.500	12.70	•	•	•	
2650-05-05-05-05	5/16	1/2-20	1/2-20	1/2-20	1/2-20	0.950	24.13	9/16	0.562	14.27	•	•	•	
2650-06-06-06-06	3/8	9/16-18	9/16-18	9/16-18	9/16-18	1.060	26.92	5/8	0.625	15.88	•	•	•	
2650-06-08-06-08	1/2	3/4-16	3/4-16	3/4-16	3/4-16	1.250	31.75	13/16	0.812	20.62	•	•	•	
2650-08-08-08-08	5/8	7/8-14	7/8-14	7/8-14	7/8-14	1.450	36.83	15/16	0.937	23.80	•	•	•	
2650-12-12-12-12	3/4	1 1/16-12	1 1/16-12	1 1/16-12	1 1/16-12	1.660	42.16	1 1/8	1.125	28.58	•	•	•	
2650-14-14-14-14	7/8	1 3/16-12	1 3/16-12	1 3/16-12	1 3/16-12	1.800	45.72	1 1/4	1.250	31.75	•	•	•	
2650-16-16-16-16	1	1 5/16-12	1 5/16-12	1 5/16-12	1 5/16-12	1.810	45.97	1 3/8	1.375	34.93	•	•	•	
2650-20-20-20-20	1 1/4	1 5/8-12	1 5/8-12	1 5/8-12	1 5/8-12	2.060	52.32	1 3/4	1.750	44.45	•	•	•	
2650-24-24-24-24	1 1/2	1 7/8-12	1 7/8-12	1 7/8-12	1 7/8-12	2.330	59.18	2	2.000	50.80	•	•	•	
2650-32-32-32-32	2	2 1/2-12	2 1/2-12	2 1/2-12	2 1/2-12	3.060	77.72	2 5/8	2.625	66.68	•	•	•	

MJ-MP-MJ-MJ Cross 2651 Series



PART NO. SIZE	TUBE O.D.	B1 SAE 37	A2 NPTF	B3 SAE 37	B4 SAE 37	L LGTH	M.M.	M LGTH	M.M.	Y FLATS	Y FLATS	M.M.	Standard Material From Stock			
													S	FG	SS	B
2651-04-04-04-04	1/4	7/16-20	1/4-18	7/16-20	7/16-20	1.090	27.69	1.050	26.67	5/8	0.625	15.88	•			
2651-06-06-04-06	3/8	7/16-20	1/4-18	7/16-20	7/16-20	1.090	27.69	1.060	26.92	5/8	0.625	15.88	•			
2651-06-04-06-06	3/8	9/16-18	1/4-18	9/16-18	9/16-18	1.060	26.92	1.060	26.92	5/8	0.625	15.88	•			
2651-06-06-06-06	3/8	9/16-18	3/8-18	9/16-18	9/16-18	1.220	30.99	1.140	28.96	13/16	0.812	20.62	•			
2651-08-08-08-08	1/2	3/4-16	1/2-14	3/4-16	3/4-16	1.470	37.34	1.330	33.78	15/16	0.937	23.80	•			
2651-16-16-16-16	1	1 5/8-12	1-11 1/2	1 5/8-12	1 5/8-12	1.970	50.04	1.810	45.97	1 3/8	1.375	34.93	•			
2651-12-12-12-12	3/4	1 1/16-12	3/4-14	1 1/16-12	1 1/16-12	1.660	42.16	1.660	42.16	1 1/8	1.125	28.58	•			