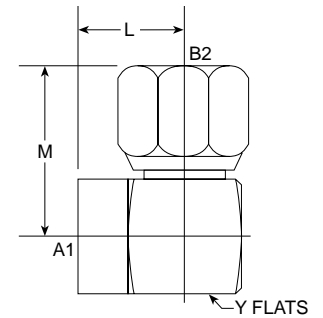
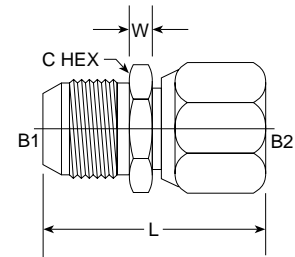


# FP-FJS 90° 6503 Series



PART NO. SIZE	TUBE O.D.	A1 SAE 37	B2 SAE 37	L LGTH	M.M.	M LGTH	M.M.	Y FLATS	Y FLATS	M.M.	Standard Material From Stock			
											S	FG	SS	B
6503-04-04	1/4	1/4-18	7/16-20	0.870	22.10	1.130	28.70	3/4	0.750	19.05	•	•	•	
6503-04-05	5/16	1/4-18	1/2-20	0.840	21.34	1.390	35.31	3/4	0.750	19.05	•	•	•	
6503-04-06	3/8	1/4-18	9/16-18	0.870	22.10	1.290	32.77	3/4	0.750	19.05	•	•	•	
6503-06-06	3/8	3/8-18	9/16-18	1.020	25.91	1.360	34.54	7/8	0.875	22.23	•	•	•	
6503-06-08	1/2	3/8-18	3/4-16	1.020	25.91	1.430	36.32	7/8	0.875	22.23	•	•	•	
6503-08-08	1/2	1/2-14	3/4-16	1.240	31.50	1.540	39.12	1 1/8	1.125	28.58	•	•	•	
6503-08-10	5/8	1/2-14	7/8-14	1.240	31.50	1.730	43.94	1 1/8	1.125	28.58	•	•	•	
6503-12-12	3/4	3/4-14	1 1/16-12	1.360	34.54	1.860	47.24	1 3/8	1.375	34.93	•	•	•	

# MJ-FJS Straight 6504 Series



PART NO. SIZE	TUBE O.D.	B1 SAE 37	B2 SAE 37	L LGTH	M.M.	W WIDTH	C HEX	C HEX	M.M.	Standard Material From Stock			
										S	FG	SS	B
<b>NEW</b> 6504-04-04	1/4	7/16-20	7/16-20	1.440	36.58	0.258	1/2	0.500	12.70	•		•	
6504-05-05										•			
6504-06-06	3/8	9/16-18	9/16-18	1.590	40.39	0.279	5/8	0.625	15.88	•		•	
6504-08-08	1/2	3/4-16	3/4-16	1.750	44.45	0.279	13/16	0.812	20.62	•		•	
6504-10-10	5/8	7/8-14	7/8-14	2.170	55.12	0.379	15/16	0.937	23.80	•		•	
6504-12-12	3/4	1 1/16-12	1 1/16-12	2.270	57.66	0.390	1 1/8	1.125	28.58	•		•	
6504-16-16	1	1 5/16-12	1 5/16-12	2.500	63.50	0.421	1 3/8	1.375	34.90	•		•	
6504-20-20	1 1/4	1 5/8-12	1 5/8-12	2.700	68.58	0.500	1 11/16	1.687	42.86	•		•	
<b>NEW</b> 6504-24-24										•			