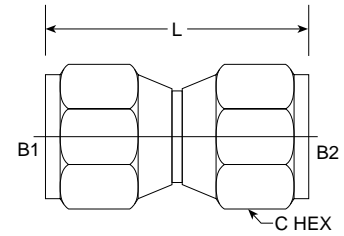


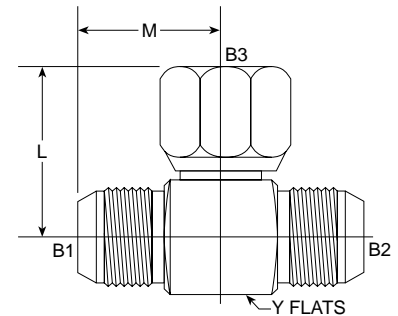
FJS-FJS Straight 6565 Series



PART NO. SIZE	TUBE O.D.	B1 SAE 37	B2 SAE 37	L LGTH M.M.	C HEX	C HEX	M.M.	Standard Material From Stock				
								S	FG	SS	B	
6565-04-04	1/4	7/16-20	7/16-20	1.260	32.00	9/16	0.562	14.28	•		•	
6565-06-06	3/8	9/16-18	9/16-18	1.330	33.78	11/16	0.688	17.46	•			
6565-08-08	1/2	3/4-16	3/4-16	1.660	42.16	7/8	0.875	22.22	•			
6565-10-10	5/8	7/8-14	7/8-14	1.900	48.26	1	1.000	25.40	•			
6565-12-12	3/4	1 1/16-12	1 1/16-12	2.330	59.18	1 1/4	1.250	31.75	•			
6565-16-16	1	1 5/16-12	1 5/16-12	2.630	66.80	1 1/2	1.500	38.10	•			
6565-20-20	1 1/4	1 5/8-12	1 5/8-12	2.660	67.56	2	2.000	50.80	•			
6565-24-24	1 1/2	1 7/8-12	1 7/8-12	2.880	73.15	2 1/4	2.250	57.15	•			

MJ-MJ-FJS Tee 6600 Series

SAE # 070433 / MS # 51524



PART NO. SIZE	TUBE O.D.	B1 SAE 37	B2 SAE 37	B3 SAE 37	L LGTH M.M.	M LGTH M.M.	Y FLATS M.M.	Y FLATS M.M.	Standard Material From Stock						
									S	FG	SS	B			
6600-02-02-02	1/8	5/16-24	5/16-24	5/16-24	0.970	24.64	0.770	19.56	7/16	0.437	11.10			•	
6600-03-03-03	3/16	3/8-24	3/8-24	3/8-24	1.000	25.40	0.830	21.08	7/16	0.438	11.13			•	
6600-04-04-04	1/4	7/16-20	7/16-20	7/16-20	1.000	25.40	0.890	22.61	1/2	0.500	12.70	•		•	
6600-05-05-05	5/16	1/2-20	1/2-20	1/2-20	1.060	26.92	0.950	24.13	9/16	0.562	14.27	•		•	
6600-06-06-06	3/8	9/16-18	9/16-18	9/16-18	1.250	31.75	1.060	26.92	5/8	0.625	15.88	•		•	
NEW 6600-06-06-08												•			
6600-08-08-08	1/2	3/4-16	3/4-16	3/4-16	1.380	35.05	1.250	31.75	13/16	0.812	20.62	•		•	
6600-10-10-10	5/8	7/8-14	7/8-14	7/8-14	1.620	41.15	1.450	36.83	15/16	0.937	23.80	•		•	
NEW 6600-12-12-10												•			
6600-12-12-12	3/4	1 1/16-12	1 1/16-12	1 1/16-12	1.750	44.45	1.660	42.16	1 1/8	1.125	28.58	•		•	
6600-14-14-14	7/8	1 3/16-12	1 3/16-12	1 3/16-12	1.780	45.21	1.730	43.94	1 1/4	1.250	31.75	•		•	
6600-16-16-16	1	1 5/16-12	1 5/16-12	1 5/16-12	2.000	50.80	1.810	45.97	1 3/8	1.375	34.93	•		•	
6600-20-20-20	1 1/4	1 5/8-12	1 5/8-12	1 5/8-12	2.310	58.67	2.060	52.32	1 3/4	1.750	44.45	•		•	
6600-24-24-24	1 1/2	1 7/8-12	1 7/8-12	1 7/8-12	2.590	65.79	2.330	59.18	2	2.000	50.80	•		•	
6600-32-32-32	2	2 1/2-12	2 1/2-12	2 1/2-12	3.380	85.85	3.060	77.72	2 5/8	2.625	66.68	•		•	