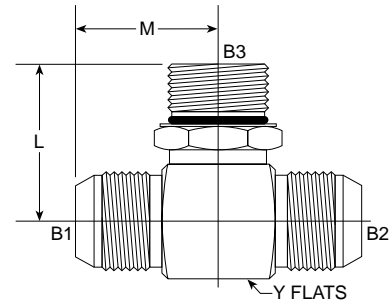


MJ-MJ-MAORB Branch Tee 6803-NWO Series

SAE# 070429 / MS# 51529



PART NO. SIZE	TUBE O.D.	B1 SAE 37	B2 SAE 37	B3 SAE ORB	L LGTH M.M.	M LGTH M.M.	Y FLATS M.M.	Y FLATS M.M.	Standard Material From Stock						
									S	FG	SS	B			
6803-02-02-02-NWO	1/8	5/16-24	5/16-24	5/16-24	0.940	23.88	0.770	19.56	7/16	0.437	11.10			•	
6803-04-04-04-NWO	1/4	7/16-20	7/16-20	7/16-20	1.030	26.16	0.890	22.61	1/2	0.500	12.70	•	•	•	
6803-04-04-06-NWO	1/4	7/16-20	7/16-20	9/16-18	1.260	32.00	0.950	24.13	5/8	0.625	15.88	•	•	•	
6803-05-05-05-NWO	5/16	1/2-20	1/2-20	1/2-20	1.130	28.70	0.950	24.13	9/16	0.562	14.27	•	•	•	
6803-06-06-04-NWO	3/8	9/16-18	9/16-18	7/16-20	1.250	31.75	1.060	26.92	9/16	0.562	14.27	•	•		
NEW 6803-06-06-05-NWO	3/8	9/16-18	9/16-18	9/16-18	1.250	31.75	1.060	26.92	5/8	0.625	15.88	•	•	•	
6803-06-06-08-NWO	3/8	9/16-18	9/16-18	3/4-16	1.450	36.83	1.140	28.96	13/16	0.812	20.62	•	•		
6803-06-06-12-NWO	3/8	9/16-18	9/16-18	1 1/16-12	1.940	49.28	1.290	32.77	1 1/8	1.125	28.58	•	•		
6803-08-08-06-NWO	1/2	3/4-16	3/4-16	9/16-18	1.320	33.53	1.250	31.75	15/16	0.937	23.80	•	•		
6803-08-08-08-NWO	1/2	3/4-16	3/4-16	3/4-16	1.450	36.83	1.250	31.75	13/16	0.812	20.62	•	•	•	
6803-08-08-10-NWO	1/2	3/4-16	3/4-16	7/8-14	1.700	43.18	1.320	33.53	15/16	0.937	23.80	•	•		
6803-08-08-12-NWO	1/2	3/4-16	3/4-16	1 1/16-12	1.940	49.28	1.420	36.07	1 1/8	1.125	28.58	•	•		
6803-10-10-08-NWO	5/8	7/8-14	7/8-14	3/4-16	1.520	38.61	1.450	36.83	15/16	0.937	23.80	•	•		
6803-10-10-10-NWO	5/8	7/8-14	7/8-14	7/8-14	1.700	43.18	1.450	36.83	15/16	0.937	23.80	•	•	•	
6803-10-10-12-NWO	5/8	7/8-14	7/8-14	1 1/16-12	1.940	49.28	1.550	39.37	1 1/8	1.125	28.58	•	•		
6803-10-10-16-NWO	5/8	7/8-14	7/8-14	1 5/16-12	2.040	51.82	1.670	42.42	1 3/8	1.375	34.93	•	•	•	
6803-12-12-08-NWO	3/4	1 1/16-12	1 1/16-12	3/4-16	1.610	40.89	1.660	42.16	1 1/8	1.125	28.58	•	•		
6803-12-12-10-NWO	3/4	1 1/16-12	1 1/16-12	7/8-14	1.810	45.97	1.660	42.16	1 1/8	1.125	28.58	•	•	•	
6803-12-12-12-NWO	3/4	1 1/16-12	1 1/16-12	1 1/16-12	1.940	49.28	1.660	42.16	1 1/8	1.125	28.58	•	•	•	
6803-12-12-16-NWO	3/4	1 1/16-12	1 1/16-12	1 5/16-12	2.050	52.07	1.790	45.47	1 3/8	1.375	34.93	•	•		
6803-14-14-14-NWO	7/8	1 3/16-12	1 3/16-12	1 3/16-12	2.000	50.80	1.800	45.72	1 1/4	1.250	31.75	•	•		
6803-16-16-12-NWO	1	1 5/16-12	1 5/16-12	1 1/16-12	2.050	52.07	1.810	45.97	1 3/8	1.375	34.93	•	•	•	
6803-16-16-16-NWO	1	1 5/16-12	1 5/16-12	1 5/16-12	2.050	52.07	1.810	45.97	1 3/8	1.375	34.93	•	•	•	
6803-20-20-20-NWO	1 1/4	1 5/8-12	1 5/8-12	1 5/8-12	2.250	57.15	2.060	52.32	1 3/4	1.750	44.45	•	•	•	
6803-24-24-24-NWO	1 1/2	1 7/8-12	1 7/8-12	1 7/8-12	2.390	60.71	2.330	59.18	2	2.000	50.80	•	•	•	
6803-32-32-32-NWO	2	2 1/2-12	2 1/2-12	2 1/2-12	3.060	77.72	2.890	73.41	2 1/2	2.500	63.50	•	•		