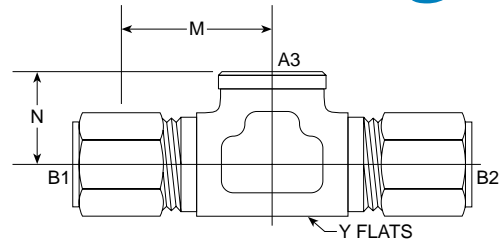


Flareless Bite Type Fittings

BT-BT-FP Tee C2602 Series

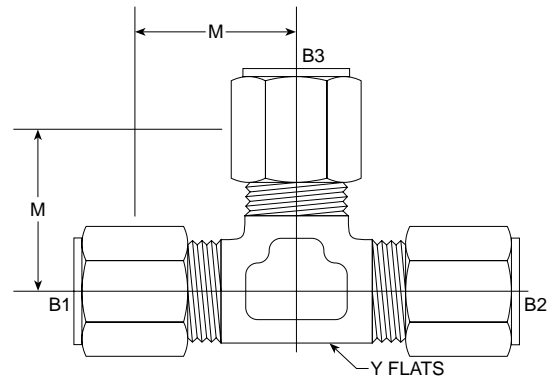
SAE# 080427 / MS# 51821



PART NO. SIZE	TUBE O.D.	B1 THREAD	B2 THREAD	A3 NPTF	M		N LGTH	Y FLATS	Y FLATS	M.M.	Standard Material From Stock				
					LGTH	M.M.					S	FG	SS	B	
C2602-04-04-02	1/4	7/16-20	7/16-20	1/8-27	0.890	22.61	0.660	16.76	9/16	0.562	14.27		•	•	
C2602-04-04-04	1/4	7/16-20	7/16-20	1/4-18	1.030	26.16	0.880	22.35	3/4	0.750	19.05		•	•	
C2602-06-06-04	3/8	9/16-18	9/16-18	1/4-18	1.050	26.67	0.880	22.35	3/4	0.750	19.05		•	•	
C2602-08-08-06	1/2	3/4-16	3/4-16	3/8-18	1.230	31.24	1.020	25.91	7/8	0.875	22.22		•	•	
C2602-08-08-08	1/2	3/4-16	3/4-16	3/4-16	1.350	34.29	1.230	31.24	1 1/16	1.062	26.97		•	•	
C2602-10-10-08	5/8	7/8-14	7/8-14	1/2-14	1.420	36.07	1.230	31.24	1 1/16	1.062	26.97		•	•	
C2602-12-12-12	3/4	1 1/16-12	1 1/16-12	3/4-14	1.580	40.13	1.360	34.54	1 5/16	1.312	33.32		•	•	
C2602-16-16-16	1	1 5/16-12	1 5/16-12	1-11 1/2	1.730	43.94	1.620	41.15	1 5/8	1.625	41.27		•	•	
C2602-20-20-20	1 1/4	1 5/8-12	1 5/8-12	1 1/4-11 1/2	2.080	52.83	1.700	43.18	1 7/8	1.875	47.62		•	•	

BT-BT-BT Tee C2603 Series

SAE# 080401 / MS# 51811



PART NO. SIZE	TUBE O.D.	B1 THREAD	B2 THREAD	B3 THREAD	M		Y FLATS	Y FLATS	M.M.	Standard Material From Stock			
					LGTH	M.M.				S	FG	SS	B
C2603-02-02-02	1/8	5/16-24	5/16-24	5/16-24	0.770	19.56	5/16	0.312	7.92		•	•	
C2603-03-03-03	3/16	3/8-24	3/8-24	3/8-24	0.840	21.34	7/16	0.438	11.12		•	•	
C2603-04-04-04	1/4	7/16-20	7/16-20	7/16-20	0.890	22.61	7/16	0.438	11.12		•	•	
C2603-05-05-05	5/16	1/2-20	1/2-20	1/2-20	0.950	24.13	9/16	0.562	14.27		•	•	
C2603-06-06-06	3/8	9/16-18	9/16-18	9/16-18	1.050	26.67	9/16	0.562	14.27		•	•	
C2603-08-08-08	1/2	3/4-16	3/4-16	3/4-16	1.250	31.75	3/4	0.750	19.05		•	•	
C2603-10-10-10	5/8	7/8-14	7/8-14	7/8-14	1.420	36.07	7/8	0.875	22.22		•	•	
C2603-12-12-12	3/4	1 1/16-12	1 1/16-12	1 1/16-12	1.580	40.13	1 1/16	1.062	26.97		•	•	
NEW C2603-14-14-14											•	•	
C2603-16-16-16	1	1 5/16-12	1 5/16-12	1 5/16-12	1.730	43.94	1 5/16	1.312	33.32		•	•	
NEW C2603-20-20-16											•	•	
C2603-20-20-20	1 1/4	1 5/8-12	1 5/8-12	1 5/8-12	1.890	48.01	1 5/8	1.625	41.27		•	•	
C2603-24-24-24	1 1/2	1 7/8-12	1 7/8-12	1 7/8-12	2.020	51.31	1 7/8	1.875	47.62		•	•	
C2603-32-32-32	2	2 1/2-12	2 1/2-12	2 1/2-12	2.450	62.23	2 1/2	2.500	63.50		•	•	