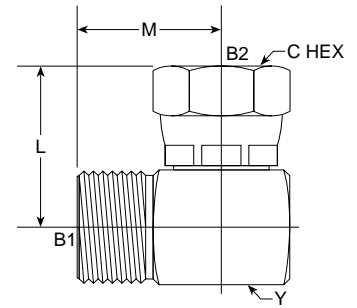


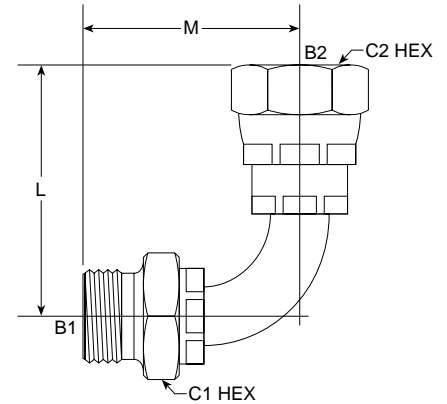
International Fittings

MBSPP-FBSPPS 90° 9224 Series



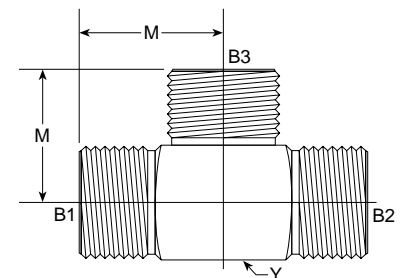
| PART NO. SIZE | B1 BSPP | B2 BSPP | L LGTH M.M. | M LGTH M.M. | C HEX M.M. | Y FLATS M.M. | Standard Material From Stock | | | |
|----------------|----------|----------|-------------|-------------|------------|--------------|------------------------------|----|----|---|
| | | | | | | | S | FG | SS | B |
| NEW 9224-02-02 | | | | | | | • | | | |
| 9224-04-04 | 1/4-19 | 1/4-19 | 24 | 24 | 18 | 16 | • | | | |
| 9224-06-06 | 3/8-19 | 3/8-19 | 30 | 28 | 22 | 19 | • | | | |
| 9224-08-08 | 1/2-14 | 1/2-14 | 32 | 33 | 26 | 22 | • | | | |
| 9224-12-12 | 3/4-14 | 3/4-14 | 40.00 | 36.50 | 33.00 | 28.60 | • | | | |
| 9224-16-16 | 1-11 | 1-11 | 44.50 | 44.80 | 37.60 | 35.00 | • | | | |
| 9224-24-24 | 1 1/2-11 | 1 1/2-11 | 59.30 | 61.60 | 56.46 | 50.71 | • | | | |

MBSPP-FBSPPS 90° Long 9224-L Series



| PART NO. SIZE | B1 BSPP | B2 BSPP | L LGTH M.M. | M LGTH M.M. | C1 HEX M.M. | C2 HEX M.M. | Standard Material From Stock | | | |
|------------------|----------|----------|-------------|-------------|-------------|-------------|------------------------------|----|----|---|
| | | | | | | | S | FG | SS | B |
| NEW 9224-L-08-08 | | | | | | | • | | | |
| 9224-L-12-12 | | | | | | | • | | | |
| 9224-L-16-16 | 1-11 | 1-11 | 75 | 72.00 | 43 | 38 | • | | | |
| 9224-L-24-24 | 1 1/2-11 | 1 1/2-11 | 104 | 100.00 | 57 | 57 | • | | | |

MBSPP-MBSPP-MBSPP Tee 9322 Series



| PART NO. SIZE | B1 BSPP | B2 BSPP | B3 BSPP | M LGTH M.M. | Y FLATS M.M. | Standard Material From Stock | | | |
|---------------|---------|---------|---------|-------------|--------------|------------------------------|----|----|---|
| | | | | | | S | FG | SS | B |
| 9322-04-04-04 | 1/4-19 | 1/4-19 | 1/4-19 | 23.00 | 18.00 | • | | | |
| 9322-06-06-06 | 3/8-19 | 3/8-19 | 3/8-19 | 24.00 | 19.00 | • | | | |
| 9322-08-08-08 | 1/2-14 | 1/2-14 | 1/2-14 | 30.00 | 25.63 | • | | | |
| 9322-12-12-12 | 3/4-14 | 3/4-14 | 3/4-14 | 40.00 | 33.05 | • | | | |