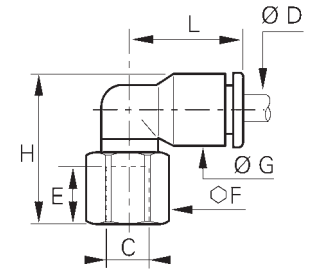


Push-To-Connect

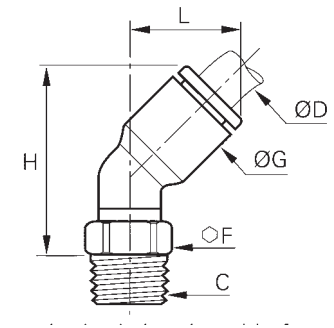
Female Elbow – Fractional Inch Tube To NPT

ØD in	C NPT	Cat. No.	F mm	G in	H in	E in	L in	Scale oz
1/8	1/8	PCNY2502-02-02	13	.34	.91	.37	.57	.38
5/32	1/8	PCNY2502-02.5-02	13	.33	.91	.37	.55	.41
5/32	1/4	PCNY2502-02.5-04	16	.33	1.08	.55	.55	.14
1/4	1/8	PCNY2502-04-02	13	.43	1.02	.37	.71	.47
1/4	1/4	PCNY2502-04-04	16	.43	1.18	.55	.71	.38
5/16	1/8	PCNY2502-05-02	13	.53	1.12	.37	.91	.50
5/16	1/4	PCNY2502-05-04	16	.53	1.28	.55	.91	.85
3/8	1/4	PCNY2502-06-04	16	.63	1.52	.55	1.04	.90
1/2	3/8	PCNY2502-08-06	22	.87	1.88	.65	1.38	2.47



45° Male Elbow – Fractional Inch Tube To Male NPT or UNF

ØD in	C UNF/NPT	Cat. No.	F mm	G in	H in	L in	Scale oz
1/8	10-32	PCNY2503-02-10/32	8	.35	.91	.49	.28
1/8	1/8	PCNY2503-02-02	11	.35	.81	.49	.28
1/4	1/8	PCNY2503-04-02	11	.43	.98	.57	.28
1/4	1/4	PCNY2503-04-04	14	.43	.98	.57	.60
1/4	M7	PCNY2503-04-07	9	.43	1.14	.57	.28
3/8	1/4	PCNY2503-06-04	17	.63	1.36	.91	.71
3/8	3/8	PCNY2503-06-06	18	.63	1.36	.91	.81



Male Branch Tee – Fractional Inch Tube To Male NPT or UNF To Tube

ØD in	C UNF/NPT	Cat. No.	F mm	G in	H in	L 2 in	Scale oz
1/8	10-32	PCNY2601-02-02-02.5	8	.33	.61	.57	.23
1/8	1/16	PCNY2601-02-02-01	10	.33	.61	.57	.27
1/8	1/8	PCNY2601-02-02-02	11	.33	.61	.57	.33
1/8	1/4	PCNY2601-02-02-04	14	.33	.63	.57	.66
5/32	10-32	PCNY2601-02.5-02.5-10/32	8	.33	.71	.55	.18
5/32	1/8	PCNY2601-02.5-02.5-02	11	.33	.61	.55	.32
5/32	1/4	PCNY2601-02.5-02.5-04	14	.33	.63	.55	.65
3/16	1/8	PCNY2601-03-03-02	11	.43	.67	.85	.64
1/4	1/8	PCNY2601-04-04-02	11	.43	.67	.71	.39
1/4	1/4	PCNY2601-04-04-04	14	.43	.63	.71	.56
1/4	3/8	PCNY2601-04-04-06	18	.43	.65	.71	.85
5/16	1/8	PCNY2601-05-05-02	11	.53	.87	.91	.49
5/16	1/4	PCNY2601-05-05-04	14	.53	.83	.91	.66
5/16	3/8	PCNY2601-05-05-06	18	.53	.85	.91	.97
3/8	1/8	PCNY2601-06-06-02	15	.63	.99	1.04	.81
3/8	1/4	PCNY2601-06-06-04	15	.63	.99	1.04	.88
3/8	3/8	PCNY2601-06-06-06	18	.63	.95	1.04	1.18
3/8	1/2	PCNY2601-06-06-08	22	.63	.98	1.04	1.86
1/2	1/4	PCNY2601-08-08-04	20	.87	1.22	1.38	1.88
1/2	3/8	PCNY2601-08-08-06	20	.87	1.22	1.38	1.93
1/2	1/2	PCNY2601-08-08-08	24	.87	1.12	1.38	2.35

