

# FLEXGRIP



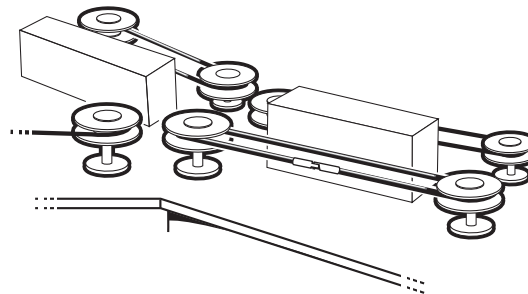
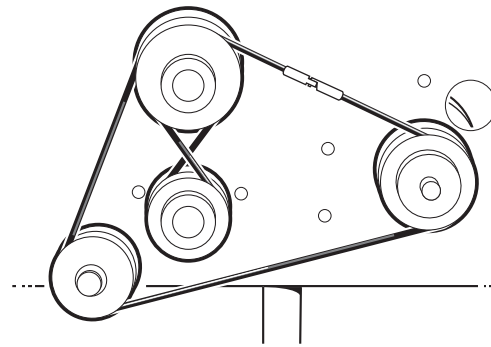
## FLEXGRIP 10 SETS

NUMBER	PRICE
3/16"	\$ 152.72
1/4"	152.76
5/16"	156.92
3/8"	162.92
7/16"	183.22

**Flexgrip** couplings for round belts incorporate a true universal joint in their design, which provides smooth sure operation through multi-directional turns. Ideally suited for high-speed, heavy duty applications, Flexgrip can be used for round belts of leather, urethane, or rubber type compounds.

Flexgrip couplings are internally threaded and screw on to belt ends, eliminating the punching of holes necessary with other methods. One end is "closed" and the other is "open."

The design facilitates easy installation and precise adjustment of belt tension. Flexgrip couplings can be used on belts from 3/16" (4.5mm) to 1/2" (12.5mm). Packaged 10 pairs to a box, sold in box quantity only. Order by OD (outside diameter) of belt.



## FLEXGRIP SPECIFICATIONS

### BELT COUPLINGS SPECIFICATIONS

BELT DIAMETER IN INCHES	BELT DIAMETER IN MM.	SIZE
3/16"	5	3/16
1/4"	7	1/4
5/16"	8	5/16
3/8"	10	3/8
7/16"	12	7/16

## SHIPPING WEIGHT

### FLEXGRIP SHIPPING WEIGHT (LB)

SIZE	WT.
3/16	1
1/4	1
5/16	2
3/8	3
7/16	4