

Cam and Groove

Swaged EZ Boss-Lock Type C Cam and Groove Couplers



Female Coupler
x
Hose Shank

Size	Hose O.D.		316 Stainless Steel Part #	Price/E
	From:	To:		
3/4"	1-6/64"	1-22/64"	RC075EZ-70	\$126.30
1"	1-29/64"	1-35/64"	RC100EZ-20	132.50
1"	1-36/64"	1-44/64"	RC100EZ-70	136.60

Developed specifically for chemical transport hoses having Crosslinked Polyethylene (XLPE) or Ultra High Molecular Weight Polyethylene (UHMW) tubes. Swaged Boss-Lock provides you with a permanently attached Cam and Groove fitting when superior coupling retention is required.

In testing tank transport hoses from a wide variety of manufacturers, the swaged Boss-Lock fitting proved itself to be the clear winner in overall performance.

Fittings are also available on special order for other sizes or hose O.D.'s. *Consult the factory for pricing and availability.*

SAFETY ALERT Consult the factory for pricing and availability of the special equipment required for installation or refer to page 312.

Notched EZ Boss-Lock Type C Cam and Groove Couplers



Female Coupler
x
Hose Shank

The largest advantage of the notched EZ Boss-Lock design is that the coupling can be removed from a damaged hose by cutting away the ferrule, without necessarily damaging the fitting. *After inspection to determine its suitability for reuse, it can be reinstalled into another hose by using a new ferrule.*

The notched EZ Boss-Lock system allows you to better manage your inventories. You can stock one coupling and two ferrules, and cover the same hose range with less inventory. *You must purchase a fitting and the matching ferrule to create an assembly.*

SAFETY ALERT

Size	316 Stainless Steel Coupler Part #	Price/E
1 1/2"	RC150EZNO	\$113.75
2"	RC200EZNO	121.30
3"	RC300EZNO	208.20
4"	RC400EZNO	310.85

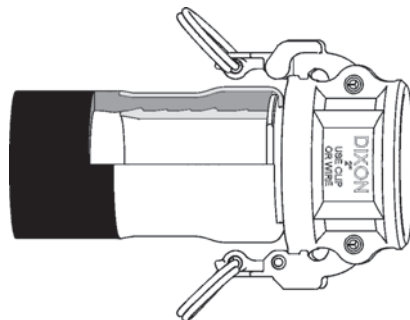
SAFETY ALERT Dixon stems and ferrules are specifically designed to be used together as a coupling system. Due to differences in dimensions and tolerances for safety reasons, do not use other manufacturer's stems or ferrules with Dixon Holedall products.



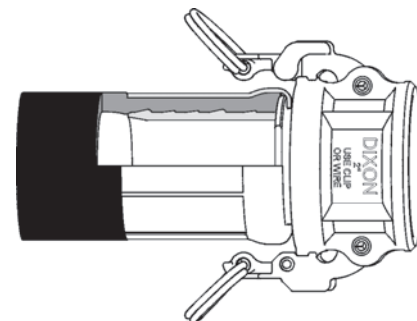
Notched Ferrule

Size	Hose O.D.		316 Stainless Steel Notched Ferrule Part #	Price/E
	From:	To:		
1 1/2"	1-60/64"	2-12/64"	GAS2334NO	\$32.30
1 1/2"	2-4/64"	2-22/64"	GAS2370NO	33.50
2"	2-30/64"	2-44/64"	GAS2709NO	26.95
2"	2-42/64"	2-54/64"	GAS2885NO	55.65
3"	3-30/64"	3-46/64"	GAS3760NO	42.20
3"	3-47/64"	3-54/64"	GAS3885NO	58.90
4"	4-40/64"	4-47/64"	GAS5010NO	171.00

Stainless steel crimp sleeves for Dixon couplers and adapters are available on page 34.



Swaged Assembly



Crimped Assembly

SAFETY ALERT

Contact the factory for swage and crimp recommendations.