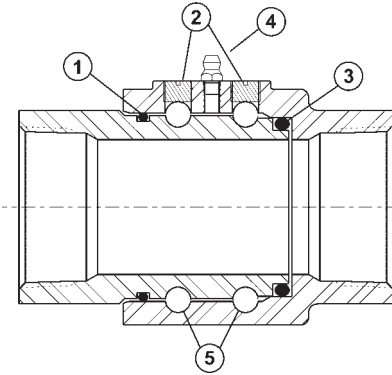


O-Ring Swivel Joints

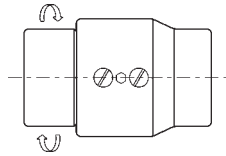
O-Ring Parts Identification List



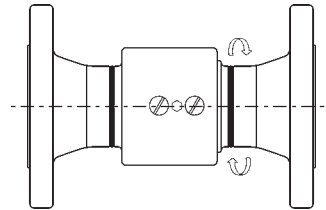
1. O-Ring (dust) seal
2. ball retainer screw
3. O-Ring (pressure) seal
4. grease fitting
5. ball bearings

- The O-ring pressure seal ensures a leak-proof seal at either high or low pressure and smoother rotation at lower torques than multiple seal designs.
- Spring-loaded Teflon® pressure seals are available up through 3".
- Carbon steel and stainless steel O-ring type swivels provide greater strength and corrosion resistance when needed for lower torque applications.
- Available in carbon steel, stainless steel, aluminum, brass and iron
- **Optional 100% full penetration welding available**

Single Plane O-Ring Style 20

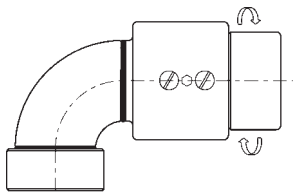


*female NPT x female NPT
sizes 1" - 4"*

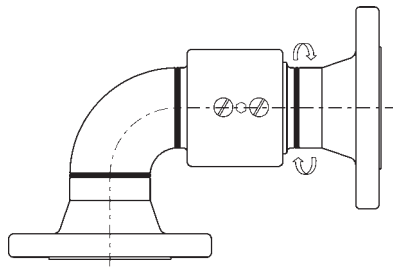


*150# ASA flange x 150# ASA flange
sizes 1" - 4"*

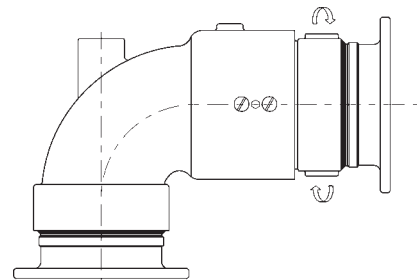
Single Plane O-Ring Style 30



*female NPT x female NPT
sizes 1" - 4"*

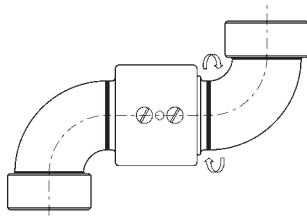


*150# ASA flange x 150# ASA flange
sizes 1" - 4"*

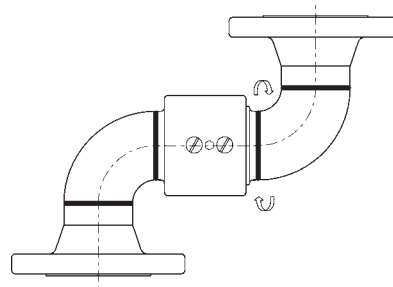


*tank truck flange x tank truck flange
sizes 2" - 4"*

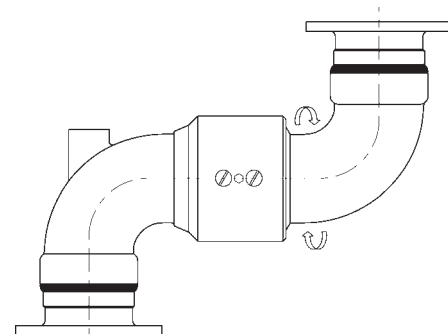
Single Plane O-Ring Style 40



*female NPT x female NPT
sizes 1" - 4"*



*150# ASA flange x 150# ASA flange
sizes 1" - 4"*



*tank truck flange x tank truck flange
sizes 2" - 4"*