



## Filters, Regulators and Lubricators

### Wilkerson FRL Display

Increase your sales with this heavy duty, point-of-purchase Dixon FRL Display, designed to highlight the features and benefits of a modular Filter-Regulator-Lubricator Combination Unit for air line services. The display is perfect for your "Will Call" or showroom sales area.

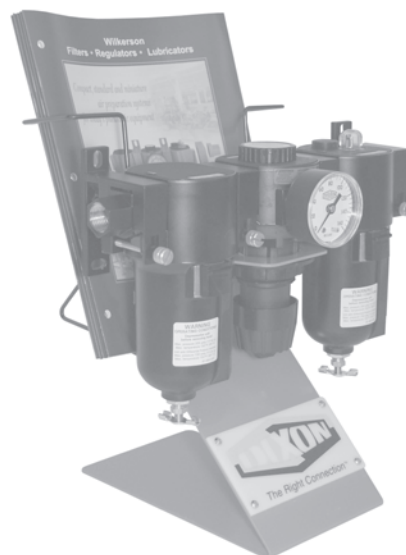
The display features:

- FRL combination unit with standard metal bowl with sight glass
- manual drain
- modular mounting clamps
- pipe adapters

**Note:** Assembly is required.

D  
Air  
Fittings

Part #	Price/E
<b>WILK26DISPLAY</b>	<b>\$738.35</b>



### Series 1 FRL Display

Increase your sales with this heavy duty, point-of-purchase Dixon FRL Display, designed to highlight the features and benefits of a modular Filter-Regulator-Lubricator Combination Unit for air line services. The display is perfect for your "Will Call" or showroom sales area.

The display features:

- 74 Series basic combination unit with metal bowl with sight glass
- manual drain
- modular mounting clamps
- pipe adapters

**Note:** Assembly is required.

Part #	Price/E
<b>NORG74DISPLAY</b>	<b>\$691.75</b>

