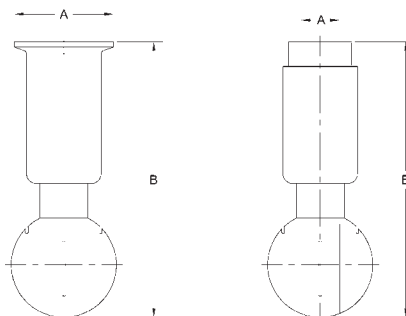


Bradford™ Sanitary Fittings

Spray Balls

Rotating

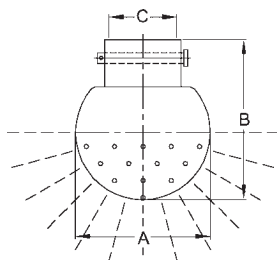
- 304 stainless steel
- Stainless steel ball bearings to eliminate rust
- Ideal for cleaning all types of tanks and vessels
- Cleaning solution used to lubricate unit
- Connections available: Clamp and NPT
- Mirror-like finish (ID/OD)



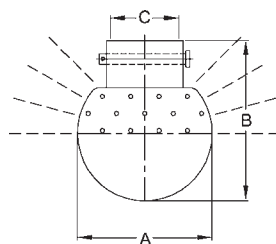
Size	Type	Spray Pattern	Dimensions		304 stainless steel	
			A	B	Part #	Price / Each
¾"	NPT	360°	¾" NPT	5.46	SRH360NPT-G075	\$166.85
1½"	NPT	360°	1½" NPT	5.46	SRH360NPT-G150	160.80
1½"	Clamp	360°	1.984	5.46	SRH360CMP-G150	171.50

Fixed

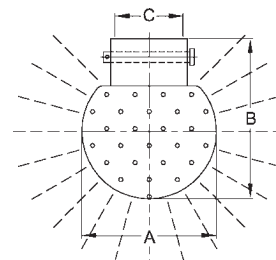
- 304 stainless steel
- Heavy stainless steel construction for longer life
- Various spray patterns available, (blanks available as special order)
- Stationary - designed to be mounted to a tube or pipe
- Typical uses are in food and beverage industries for cleaning storage tanks



180° Bottom Pattern



180° Top Pattern



360° Pattern



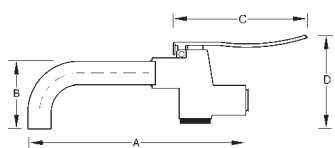
Size	Spray Pattern	Dimensions			304 stainless steel	
		A	B	C	Part #	Price / Each
1"	360°	3.04	2.45	1.005	STC-360-G100	\$118.70
1½"	360°	3.54	2.95	1.505	STC-360-G150	147.00
1"	180° bottom	3.54	2.95	1.005	STC-180B-G100	118.70
1½"	180° bottom	3.54	2.95	1.505	STC-180B-G150	147.00
1"	180° top	3.54	2.95	1.005	STC-180T-G100	118.70
1½"	180° top	3.54	2.95	1.505	STC-180T-G150	147.00

K
Sanitary
Fittings

Topping Gun

- All 304 stainless steel construction
- ½" female NPT inlet
- ½" OD tube outlet
- Squeeze handle for easy opening and control

- Spring loaded trigger for positive shutoff
- EPDM seals and gaskets
- Water at ambient temperature and a 10' of static head and 1' of discharge losses volumetric flow rate = 7 GPM



Dimensions				304 stainless steel	
A	B	C	D	Part #	Price
8.094	3.375	4.750	4.563	BTG-G50	\$497.50