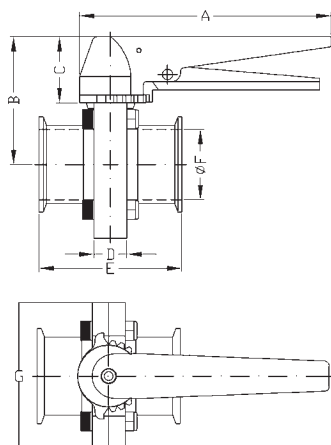


Butterfly Valves

Butterfly Valves with Trigger Handle

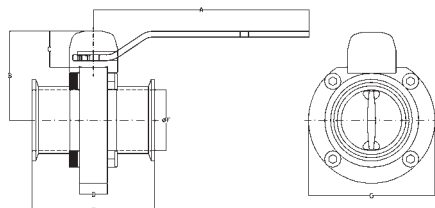


Size	<i>(CF8M)</i> 316 stainless steel with silicone seal		<i>(CF8M)</i> 316 stainless steel with Viton® seal		<i>(CF8M)</i> 316 stainless steel with EPDM seal	
	Part #	Price / E	Part #	Price / E	Part #	Price / E
1"	B5101S100CC-C	\$290.80	B5101V100CC-C	\$320.10	B5101E100CC-C	\$285.05
1½"	B5101S150CC-C	282.85	B5101V150CC-C	323.30	B5101E150CC-C	276.05
2"	B5101S200CC-C	348.90	B5101V200CC-C	412.90	B5101E200CC-C	341.65
2½"	B5101S250CC-C	434.60	B5101V250CC-C	586.75	B5101E250CC-C	426.55
3"	B5101S300CC-C	571.85	B5101V300CC-C	816.10	B5101E300CC-C	554.80
4"	B5101S400CC-C	910.40	B5101V400CC-C	1342.85	B5101E400CC-C	853.65

Note: Valves can be automated, call the factory for details.
Repair kits are available.

Size	Dimensions							Break Torque (inch lbs.)	PSI @ 68°F
	A	B	C	D	E	F	G		
1"	6.6	3	1.7	0.9	3.5	0.9	3.1	75	140
1½"	6.6	3	1.7	0.9	3.5	1.4	3.1	130	140
2"	6.6	3.5	1.7	0.9	3.8	1.9	3.9	165	140
2½"	6.6	3.7	1.7	0.9	3.8	2.4	4.6	210	110
3"	6.6	3.9	1.7	1.2	4.1	2.9	5.2	350	110
4"	6.6	4.8	1.7	1.2	4.8	3.8	6.7	540	85

Butterfly Valves with Push Handle



Size	<i>(CF8M)</i> 316 stainless steel with silicone seal		<i>(CF8M)</i> 316 stainless steel with Viton® seal		<i>(CF8M)</i> 316 stainless steel with EPDM seal	
	Part #	Price / E	Part #	Price / E	Part #	Price / E
1"	B5101S100CC-D	\$290.80	B5101V100CC-D	\$320.10	B5101E100CC-D	\$285.05
1½"	B5101S150CC-D	282.85	B5101V150CC-D	323.30	B5101E150CC-D	276.05
2"	B5101S200CC-D	348.90	B5101V200CC-D	412.90	B5101E200CC-D	341.65
2½"	B5101S250CC-D	434.60	B5101V250CC-D	586.75	B5101E250CC-D	426.55
3"	B5101S300CC-D	571.85	B5101V300CC-D	816.10	B5101E300CC-D	554.80
4"	B5101S400CC-D	910.40	B5101V400CC-D	1342.85	B5101E400CC-D	853.65

Note: Valves can be automated, call the factory for details.
Repair kits are available.

Size	Dimensions							Break Torque (inch lbs.)	PSI @ 68°F
	A	B	C	D	E	F	G		
1"	6.7	2.4	1.1	0.9	3.5	0.9	3.1	75	140
1½"	6.7	2.4	1.1	0.9	3.5	1.4	3.1	130	140
2"	6.7	2.7	1.1	0.9	3.8	1.9	3.9	165	140
2½"	6.7	3.1	1.1	0.9	3.8	2.4	4.6	210	110
3"	9	3.3	1.1	1.2	4.1	2.9	5.2	350	110
4"	9	4.1	1.1	1.2	4.8	3.8	6.7	540	85

Dixon Sanitary's commitment to excellence and continuous research and development for improving product quality may warrant periodic changes in design and specification. We reserve the right to modify product design without prior notification and without incurring any liability to provide these modifications to products previously purchased.