

Valves

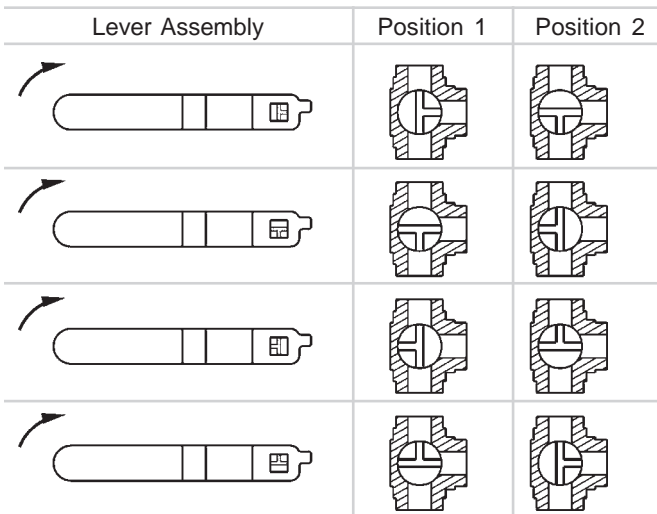
3-Way Diverting Ball Valves

T Flow Pattern



- Rated to **400 PSI** WOG; **100 PSI** saturated steam
- Brass body
- Blow-out proof stem
- Chrome plated brass ball
- PTFE seats, seals, and thrust washer
- Adjustable stem packing
- Temperature range to **320°F**
- Female NPT

| Size | Port | Part # | Price / Each |
|--------|----------|------------------|-----------------|
| 1/2" | standard | BBV50DTW | \$111.40 |
| 3/4" | standard | BBV75DTW | 115.90 |
| 1" | standard | BBV100DTW | 188.50 |
| 1 1/4" | standard | BBV125DTW | 276.25 |
| 1 1/2" | standard | BBV150DTW | 420.00 |
| 2" | standard | BBV200DTW | 686.00 |

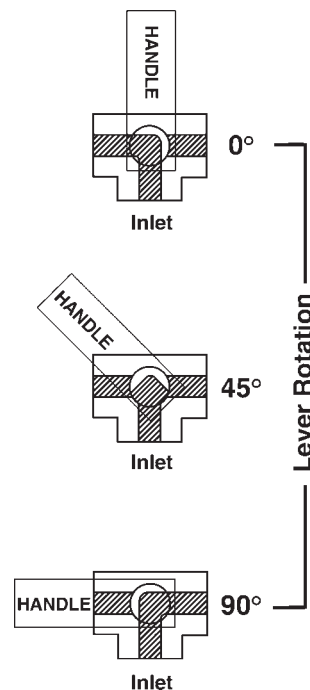


Note: 1/4 turn handle can be adjusted to any orientation. Notches on the valve stem reflect the three openings on the ball.

3-Way Diversion Ball Valves

T Flow Pattern

| Size | Port | Part # | Price / Each |
|------|----------|-----------------|----------------|
| 1/2" | full | BBV50TW | \$51.80 |
| 3/4" | standard | BBV75TW | 71.50 |
| 1" | standard | BBV100TW | 94.70 |



- Can be used with gasoline and diesel fuel
- Rated to **400 PSI** WOG
- Bronze body
- Blow-out proof stem
- Chromium-plated ball
- RPTFE seats and stuffing box ring
- Stainless steel handle and nut with vinyl sleeve
- Adjustable packing gland
- Female NPT

- Rated to **800 PSI** WOG
- Stainless steel body and ball
- Blow-out proof stem
- RPTFE seats and stuffing box ring
- Stainless steel handle and nut with vinyl sleeve
- Adjustable packing gland
- Meets NACE MR-01-75
- Female NPT

| Size | Port | Part # | Price / Each |
|------|----------|------------------|-----------------|
| 1/2" | full | SSBV50TW | \$245.00 |
| 3/4" | standard | SSBV75TW | 328.00 |
| 1" | standard | SSBV100TW | 408.00 |