



Valves

Electrically Actuated 3 Piece Stainless Ball Valves

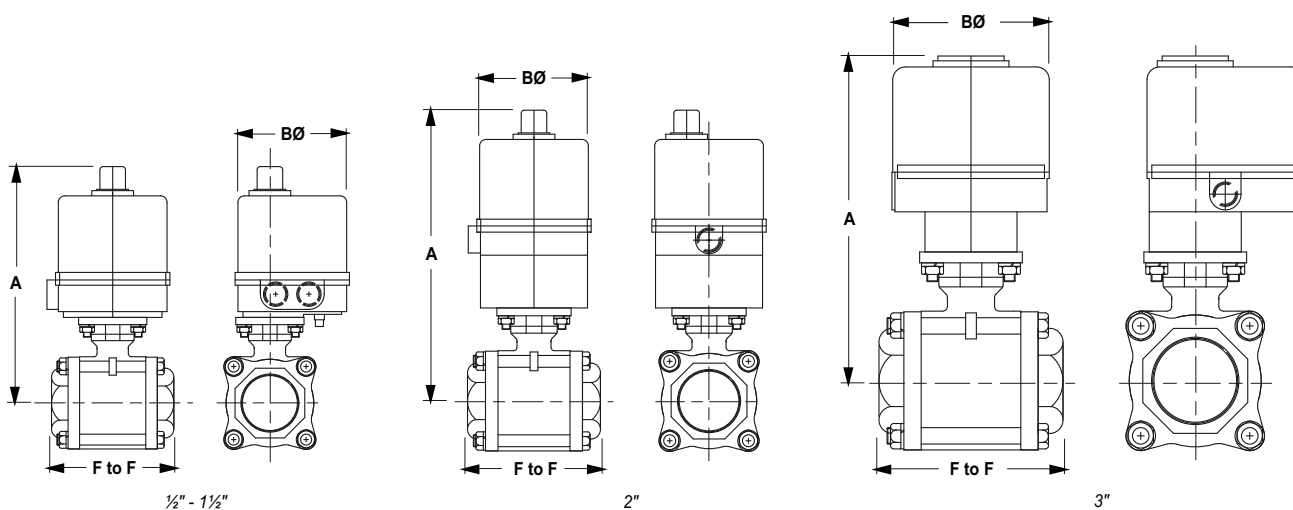
Full Port
Female NPT x Female NPT

3-Piece Stainless Ball Valve

- Stainless steel stem
- CF8M body and ball
- 15% glass reinforced RTFE seats
- ½" - 2" rated to **1000 PSI WOG**; 3" rated to **800 PSI WOG**
- Temperature range: **-40°F to 400°F**
- ISO 5211 mounting pad
- Swing out in-line easy maintenance
- Self-adjusting stem packing with Belleville washers

Electric Actuator

- Lightweight dry powder coated aluminum alloy housing
- NEMA 4/4X waterproof and dustproof
- H-insulation class
- Manual over-ride standard: ½"-1½"
- Extended duty cycle induction motor
- High alloy steel gear train
- Working temperature: **-41°F to 140°F**
- ISO 9001, CS, CE and CSA-C US Certified
- Space heater is standard
- Visual position indication
- RoHS compliant



all dimensions are given in inches

Size	F to F	A	BØ	Override	Part #	Price/E
½"	2.6	7.8	4.3	standard	BV2IG-05011-EA	\$896.75
¾"	3.0	8.0	4.3	standard	BV2IG-07511-EA	907.70
1"	3.4	8.3	4.3	standard	BV2IG-10011-EA	936.10
1¼"	4.0	8.5	4.3	standard	BV2IG-12511-EA	972.95
1½"	4.7	9.2	4.3	standard	BV2IG-15011-EA	1014.20
2"	5.2	11.4	4.3	optional	BV2IG-20011-EA	1365.75
3"	7.2	12.2	6.1	optional	BV2IG-30011-EA	2324.90

Optional voltages available: 12VDC, 24VAC, 24VDC, 220VAC (115VAC standard).

A wide variety of options are available: modulating, extra switches, transmitters, potentiometer, etc.

Contact the factory at 800.789.1718 for details.

SAFETY
ALERT

Caution !

SAFETY
ALERT

Even though there are torque safety factors built into our automated ball valve packages, actual service conditions must also be considered when selecting the proper product for the appropriate application.

For example: Severe service conditions such as dirty water, dirty air, all slurries, raw sewage water, oils, and other viscous fluids can have a dramatic affect in raising the torque requirements of ball valves as much as 75% and therefore larger actuators may be required. Please consult the factory when dealing with these types of applications.

M
Valves