



Valves

Electrically Actuated Brass Ball Valves

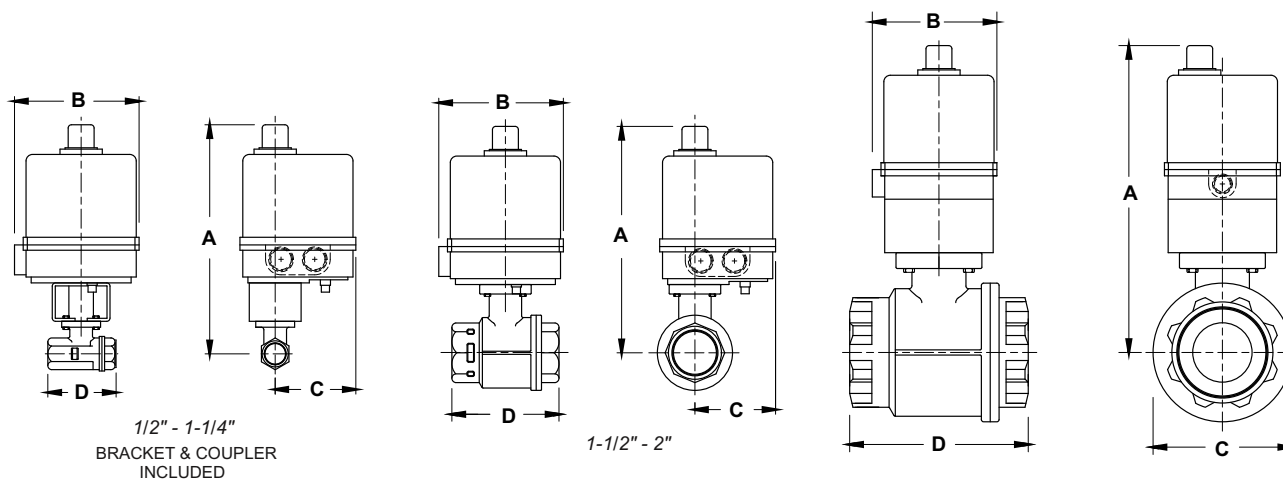
Full Port
Female NPT x Female NPT

2-Piece Brass Ball Valve

- Brass stem and ball
- PTFE seats with double O-ring stem packing
- Pressure rating: **600 PSI WOG - 150 PSI WSP**
- Maximum temperature: **366°F**
- ISO 5211 mounting pad
- Viton® elastomers

Electric Actuator

- Lightweight dry powder coated aluminum alloy housing
- NEMA 4/4X waterproof and dustproof
- H-insulation class
- Manual over-ride standard: 1/2" - 1 1/2"
- Extended duty cycle induction motor
- High alloy steel gear train
- Working temperature: **-41°F to 140°F**
- ISO 9001, CS, CE and CSA-C US Certified
- Space heater is standard
- Visual position indication
- RoHS compliant



1/2" - 1-1/4"
BRACKET & COUPLER
INCLUDED

1-1/2" - 2"

3"

all dimensions are given in inches

Size	A	B	C	D	Override	Part #	Price/E
1/2"	8.8	4.8	3.1	2.6	standard	BV2BV-05011-EA	\$926.60
3/4"	9.2	4.8	3.1	3.0	standard	BV2BV-07511-EA	936.90
1"	9.4	4.8	3.1	3.4	standard	BV2BV-10011-EA	982.05
1 1/4"	9.5	4.8	3.1	3.7	standard	BV2BV-12511-EA	1034.95
1 1/2"	8.7	4.8	3.1	4.1	standard	BV2BV-15011-EA	1068.50
2"	9.0	4.8	3.1	4.8	standard	BV2BV-20011-EA	1223.20
3"	11.8	4.8	5.4	6.9	optional	BV2BV-30011-EA	1947.05

Optional voltages available: 12VDC, 24VAC, 24VDC, 220VAC (115VAC standard).
 A wide variety of options are available: modulating, extra switches, transmitters, potentiometer, etc.
 Contact the factory at 800.789.1718 for details.

SAFETY
ALERT

Caution !

SAFETY
ALERT

Even though there are torque safety factors built into our automated ball valve packages, actual service conditions must also be considered when selecting the proper product for the appropriate application.

For example: Severe service conditions such as dirty water, dirty air, all slurries, raw sewage water, oils, and other viscous fluids can have a dramatic affect in raising the torque requirements of ball valves as much as 75% and therefore larger actuators may be required. Please consult the factory when dealing with these types of applications.

M
Valves