



Valves

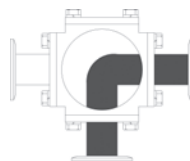
Pneumatically Actuated 3-Way 'L' Port Brass Ball Valves



Reduced Port
Female NPT x Female NPT



position A



position B

The actuator and valve are assembled with the default flow paths shown. Refer to page 551 for alternate flow paths.

3-Way Brass Ball Valve

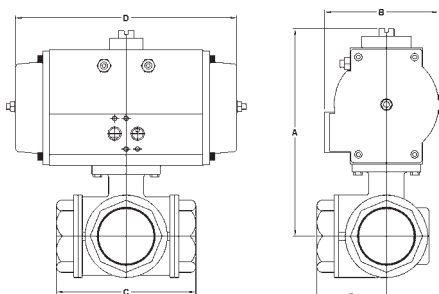
- Pressure rating: **400 PSI WOG 100 PSI WSP**
- Maximum temperature: **344°F**
- Blow-out proof stem
- Chrome-plated brass ball
- PTFE seats with O-ring backing for low operating torque
- PTFE seats and double O-ring stem packing
- 100% tested
- Reduced port
- ISO 5211 mounting pad

Rack and Pinion Actuator

- Bi-directional stops for $\pm 5^\circ$ travel adjustment
- 80 PSI plant air required
- Maximum operating pressure: **120 PSI**
- Operating temperature range: **-40°F to 200°F**
- Hard anodized aluminum body
- NAMUR mounting
- Nickel plated anti-blowout pinion
- Buna-N O-ring seals
- Visual position indication
- Tested to one million cycles

Spring Return

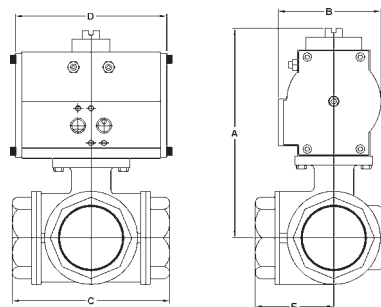
all dimensions are given in inches



Size	A	B	C	D	E	Part #	Price/E
1/4"	4.72	2.80	2.64	5.49	1.32	BV3BVLR-0251BBC	\$562.40
3/8"	4.72	2.80	2.64	5.49	1.32	BV3BVLR-0381BBC	562.40
1/2"	4.72	2.80	2.87	5.49	1.44	BV3BVLR-0501BBC	565.50
3/4"	4.81	2.80	3.19	5.49	1.60	BV3BVLR-0751BBC	577.00
1"	6.28	3.74	3.74	7.45	1.87	BV3BVLR-1001BBC	775.80
1 1/4"	6.50	3.74	4.39	7.45	2.20	BV3BVLR-1251BBC	863.00
1 1/2"	6.99	3.74	4.86	7.45	2.43	BV3BVLR-1501BBC	1005.95
2"	8.45	4.69	5.73	9.10	2.87	BV3BVLR-2001BBC	1428.65
2 1/2"	8.90	4.69	6.93	9.10	3.47	BV3BVLR-2501BBC	2088.95
3"	8.90	4.69	7.08	9.10	3.54	BV3BVLR-3001BBC	2091.65

Double Acting

all dimensions are given in inches



Size	A	B	C	D	E	Part #	Price/E
1/4"	3.76	1.77	2.64	4.33	1.32	BV3BVLR-0251BCC	\$446.75
3/8"	3.76	1.77	2.64	4.33	1.32	BV3BVLR-0381BCC	446.75
1/2"	3.76	1.77	2.87	4.33	1.44	BV3BVLR-0501BCC	449.85
3/4"	3.85	1.77	3.19	4.33	1.60	BV3BVLR-0751BCC	461.35
1"	5.53	3.20	3.74	5.32	1.87	BV3BVLR-1001BCC	574.85
1 1/4"	5.75	3.20	4.39	5.32	2.20	BV3BVLR-1251BCC	662.10
1 1/2"	6.24	3.20	4.86	5.32	2.43	BV3BVLR-1501BCC	805.05
2"	7.55	3.74	5.73	5.51	2.87	BV3BVLR-2001BCC	1122.05
2 1/2"	8.00	3.74	6.93	5.51	3.47	BV3BVLR-2501BCC	1782.35
3"	8.00	3.74	7.08	5.51	3.54	BV3BVLR-3001BCC	1785.05

A wide variety of switches, solenoids, positioners, etc., are available. Contact the factory at 800.789.1718 for details.

SAFETY
ALERT

Caution !

SAFETY
ALERT

Even though there are torque safety factors built into our automated ball valve packages, actual service conditions must also be considered when selecting the proper product for the appropriate application.

For example: Severe service conditions such as dirty water, dirty air, all slurries, raw sewage water, oils, and other viscous fluids can have a dramatic affect in raising the torque requirements of ball valves as much as 75% and therefore larger actuators may be required. Please consult the factory when dealing with these types of applications.