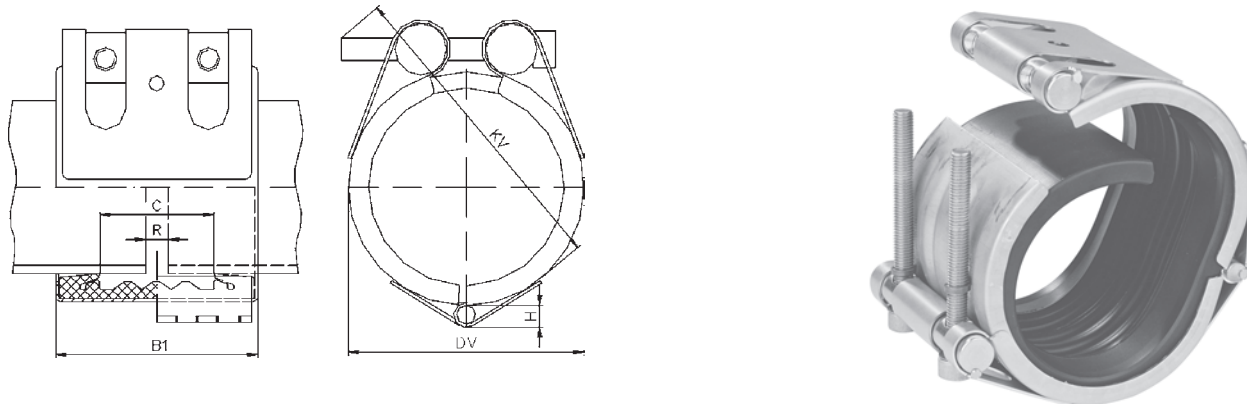


## Straub Open-Flex 1L Couplings

Straub Open-Flex 1L couplings are suitable for repairing or joining pipes where access to the pipe end is difficult or not possible. This unique wrap-around design differs from similar type repair products because the installation or repair is permanent due to the unique flexible lipseal gasket design. Open-Flex couplings will also act as an expansion joint. Straub Open-Flex couplings do *require the pipes to be properly anchored and restrained* as they are *not pull-out resistant* like the Straub Grip-L couplings. Use Straub Open-Flex couplings to replace bolted sleeve type couplings (AWWA Std. C-219) or for permanent repairs or installation.

**Specifications:**

- Casing: AISI 316Ti
- Screws: AISI 4135 steel
- Bolts: AISI 12L 14 Galvanized
- EPDM sealing sleeve: temperature range - 4°F to 176°F (-20°C to 80°C)



Nominal Size	Pipe O.D. (in.)		Working Pressure PSI	Coupling (in.)			Assembled (in.)		Maximum Distance Between Pipe End (in.) R	Weight (lbs.)	Part #	Price Each
	Actual	Range		B	C	H	DV	KV				
1½"	1.90	1.85 - 1.95	232	3.0	1.4	.28	2.8	3.3	.20	1.10	<b>STR35001</b>	<b>\$192.45</b>
2"	2.38	2.32 - 2.42	232	3.0	1.4	.28	3.2	3.7	.20	1.34	<b>STR35151</b>	<b>203.85</b>
2½"	2.88	2.81 - 2.93	232	3.7	2.0	.36	3.7	4.6	.20	1.80	<b>STR35201</b>	<b>221.85</b>
3"	3.50	3.44 - 3.56	232	3.7	2.0	.36	4.4	5.2	.20	2.10	<b>STR35351</b>	<b>232.50</b>
4"	4.50	4.43 - 4.57	232	3.7	2.0	.36	5.4	6.2	.20	2.33	<b>STR35651</b>	<b>245.90</b>
5"	5.56	5.51 - 5.62	232	4.2	2.4	.38	6.4	6.9	.20	3.20	<b>STR35901</b>	<b>309.75</b>
6"	6.63	6.52 - 6.71	232	4.2	2.4	.38	7.5	8.1	.20	3.70	<b>STR36051</b>	<b>332.60</b>

**Not pull-out resistant.**

**SAFETY  
ALERT**

Ensure that pipes are properly anchored and supported.

Assembly tool available, part # **STR6648**, \$257.15



- Joins like or dissimilar pipe materials: steel, galvanized, painted, stainless steel, thin-wall stainless steel, PVC, copper
- Requires no special tools or pipe-end preparation; only a torque wrench is required for a secure and safe pipe connection that seldom needs retightening.
- Highest quality 316 Ti stainless steel construction
- Accommodates up to 5° of pipe misalignment
- Vary gap between pipe ends
- Absorbs vibration, water hammer, and sound
- Acts as an expansion joint; will accept up to .25" of axial movement
- 5 year limited warranty
- Reusable
- Conforms to ASTM 1476, Type 2, Class 3 specifications

N  
Pipe & Welding