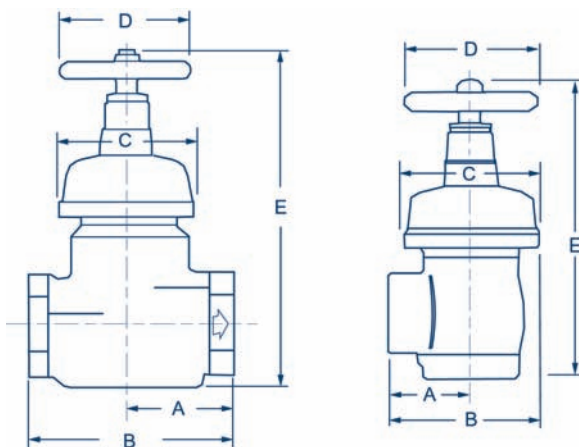
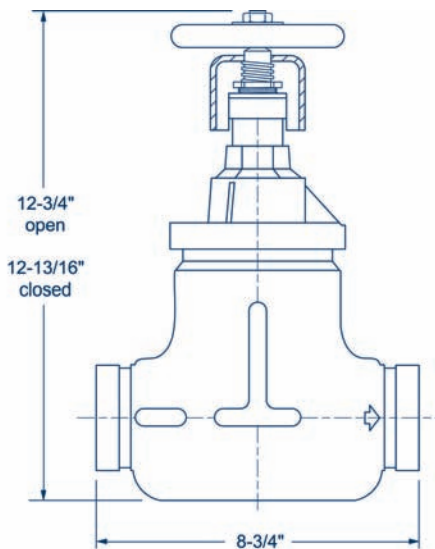


Pressure Reducing Valves specifications



Size	Style	Dimensions (inches)						Weight (lbs.)
		A	B	C	D	E / open	E / closed	
1½"	angle	2 7/32"	4 5/32"	3 7/8"	3/34"	9 25/64"	8 53/64"	8lbs. - 2 oz.
2½"	angle	3 7/32"	6 3/32"	5 3/4"	5 3/4"	11 3/8"	10 13/16"	20lbs. - 12 oz.
2½"	globe	3 7/8"	7 3/4"	5 3/4"	5 3/4"	12 3/4"	12 13/16"	23lbs. - 4 oz.

Pressure Reducing Valves submittal sheet



Guidelines:

- Customer is requested to furnish as much information as possible to insure delivery of the appropriate valve. Flow values for inlet static and residual pressure readings are needed for all types of valves (standpipe or sprinkler). Please provide a Desired Residual Outlet pressure range.
- Styles available: 18-457, 18-458, 18-459.
- Sizes: 1½" or 2½" (18-459, 2½" only).
- 'Actual' columns to be filled out by Factory. Actual values given above have an accuracy of ± 10%.
- Valves are permanently tagged for correct floor placement.

Qty.	Location tag	Style	Size (inches)	Inlet			Outlet		Actual			Type
				Static (psi)	Residual (psi)	Flow (gpm)	Static (psi)	Residual min-max (psi)	Static (psi)	Residual (psi)	Flow (gpm)	