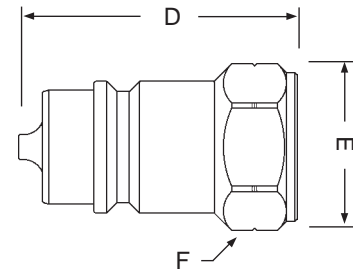
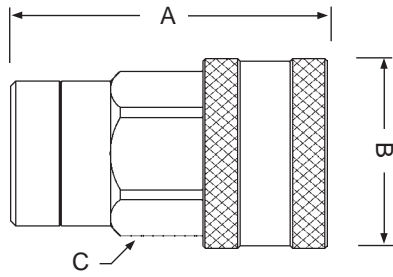
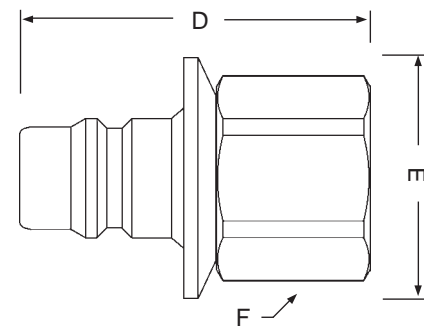
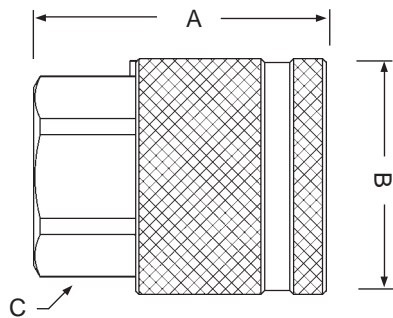


K-Series ISO7241 Series 'A' Interchange



Body Size	End Size	Female NPT(F)	Female BSPP	Female ORB	Male NPT(F)	Male BSPT	Male ORB	Male JIC 37°	Hose Barb	Push-Loc Barb	Reusable Barb	Max. O.D.	Hex Size		
Coupler												Dimension 'A'		'B'	'C'
1/4"	1/4"	51.0mm	51.0mm	-								26.0mm	19.0mm		
3/8"	3/8"	58.5mm	58.5mm	58.5mm								32.0mm	24.0mm		
1/2"	1/2"	63.5mm	63.5mm	63.5mm								38.0mm	30.0mm		
1/2"	5/8"	-	-	65.9mm								38.0mm	30.0mm		
1/2"	3/4"	65.0mm	65.0mm	-								38.0mm	38.0mm		
3/4"	3/4"	83.5mm	83.5mm	83.5mm								46.0mm	38.0mm		
1"	1"	97.0mm	97.0mm	97.0mm								55.0mm	46.0mm		
1-1/4"	1-1/4"	117.0mm	117.0mm	-								70.0mm	60.0mm		
1-1/2"	1-1/2"	133.0mm	133.0mm	-								84.5mm	70.0mm		
2"	2"	165.0mm	165.0mm	-								100.0mm	75.0mm		
Nipple												Dimension 'D'		'E'	'F'
1/4"	1/4"	36.0mm	36.0mm	-								28.4mm	19.0mm		
3/8"	3/8"	40.5mm	40.5mm	40.5mm								36.1mm	22.0mm		
1/2"	1/2"	46.0mm	46.0mm	46.0mm								47.2mm	27.0mm		
1/2"	5/8"	-	-	48.8mm								47.2mm	27.0mm		
1/2"	3/4"	49.6mm	49.6mm	-								47.2mm	30.0mm		
3/4"	3/4"	56.0mm	56.0mm	56.0mm								90.2mm	36.0mm		
1"	1"	63.0mm	63.0mm	63.0mm								104.9mm	41.0mm		
1-1/4"	1-1/4"	75.0mm	75.0mm	-								57.7mm	50.0mm		
1-1/2"	1-1/2"	83.5mm	83.5mm	-								69.3mm	60.0mm		
2"	2"	105.0mm	105.0mm	-								86.6mm	75.0mm		

EA-Series Water-Blast Interchange



Body Size	End Size	Female NPT(F)	Female BSPP	Female ORB	Male NPT(F)	Male BSPT	Male ORB	Male JIC 37°	Hose Barb	Push-Loc Barb	Reusable Barb	Max. O.D.	Hex Size		
Coupler												Dimension 'A'		'B'	'C'
1/2"	3/8"	55.9mm										41.1mm	1-1/4"		
1/2"	1/2"	55.9mm										41.1mm	1-1/4"		
Nipple												Dimension 'D'		'E'	'F'
1/2"	3/8"	59.7mm										41.1mm	1-1/8"		
1/2"	1/2"	59.7mm										41.1mm	1-1/8"		

Dimensions