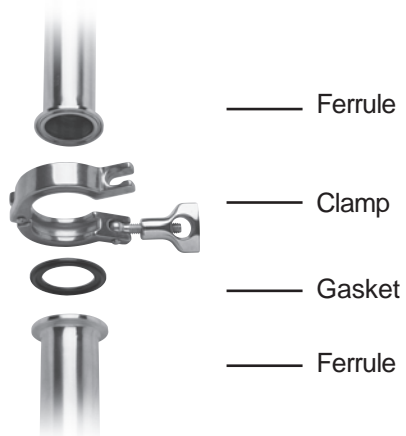
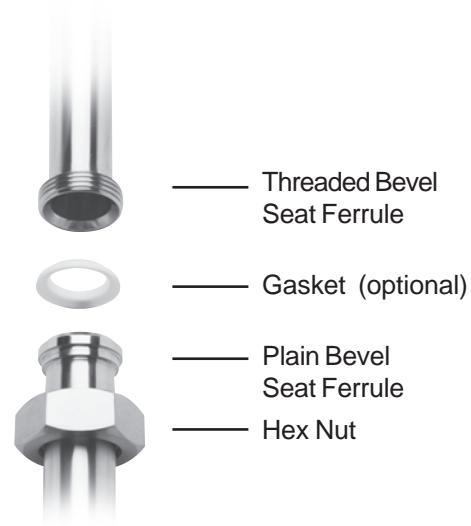


Types of Connections

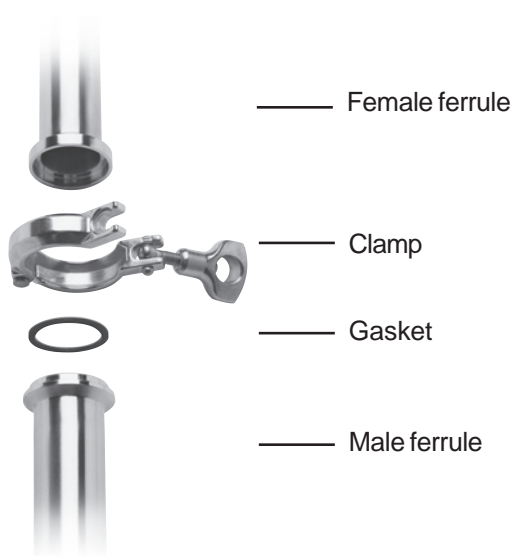
A Complete Clamping Connection



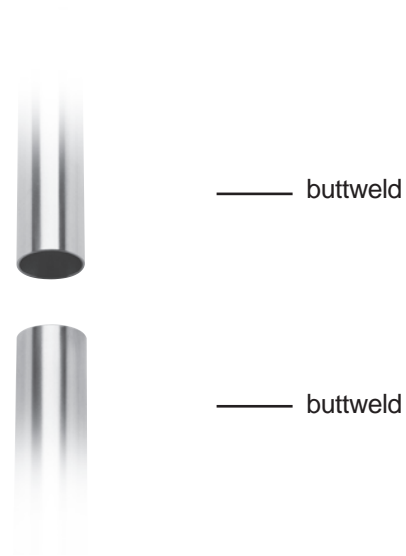
A Complete Bevel Seat Connection



A Complete I-Line Connection



A Complete Buttweld Connection



Other types of end connections available:

- Schedule 5 and 10 pipe
- John Perry threaded and/or plain with hex nut
- Q-line