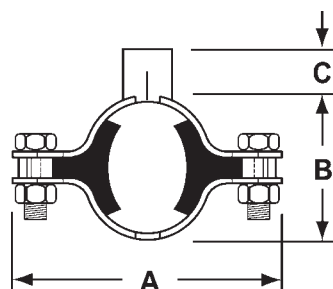




## Tube Hangers

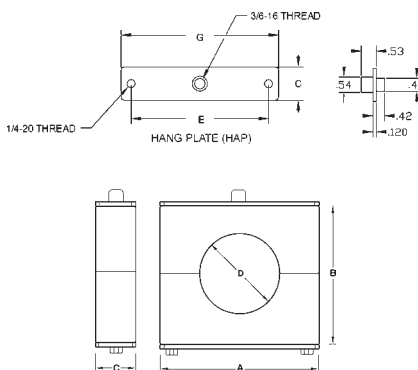
### Round with Nitrile Inserts and Coupler - B24RPHC



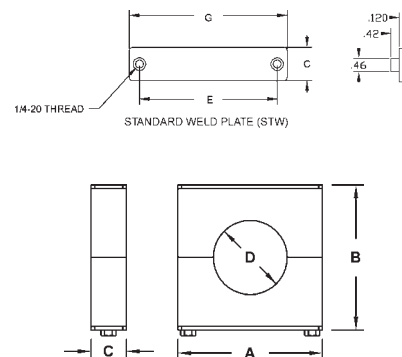
Tube O.D.	Dimensions			Part Number
	A	B	C	
1/2"	2.750	1.125	.750	B24RPHC-G50
3/4"	2.750	1.125	.750	B24RPHC-G75
1"	3.310	1.500	.750	B24RPHC-G100
1 1/2"	3.810	2.000	.750	B24RPHC-G150
2"	4.250	2.562	.750	B24RPHC-G200
2 1/2"	5.000	3.000	.750	B24RPHC-G250
3"	5.500	3.562	.750	B24RPHC-G300
4"	6.500	4.688	.750	B24RPHC-G400

- Nitrile inserts maximum temperature: **230°F**
- Coupler thread options:
  - Standard - 3/8 NPT
  - Special - all thread
    - 3/8-16 (part #B24RPHC16-G\*\*\*)
    - 1/2-13 (part # B24RPHC13-G\*\*\*)

### Block Style Tube Hangers - B24



Hang Plate design



Weld Plate design

Tube O.D.	Dimensions							Hang Plate Polypropylene Number	Standard Weld Plate Polypropylene Number	Hang Plate Santoprene Number	Standard Weld Plate Santoprene Number
	A	B	C	D	F	G	E				
1/2"	1.88	1.38	1.19	1.30	2.06	1.98	3.50	B24PPHAP-G50	B24PPSTW-G50	B24SPHAP-G50	B24SPSTW-G50
3/4"	1.88	1.38	1.19	1.30	2.06	1.98	3.50	B24PPHAP-G75	B24PPSTW-G75	B24SPHAP-G75	B24SPSTW-G75
1"	3.34	2.63	1.19	2.60	3.37	3.47	4.88	B24PPHAP-G100	B24PPSTW-G100	B24SPHAP-G100	B24SPSTW-G100
1 1/2"	3.34	2.63	1.19	2.60	3.37	3.47	4.88	B24PPHAP-G150	B24PPSTW-G150	B24SPHAP-G150	B24SPSTW-G150
2"	3.34	2.63	1.19	2.60	3.37	3.47	4.88	B24PPHAP-G200	B24PPSTW-G200	B24SPHAP-G200	B24SPSTW-G200
2 1/2"	5.00	4.38	1.19	4.25	5.03	5.50	6.50	B24PPHAP-G250	B24PPSTW-G250	B24SPHAP-G250	B24SPSTW-G250
3"	5.00	4.38	1.19	4.25	5.03	5.50	6.50	B24PPHAP-G300	B24PPSTW-G300	B24SPHAP-G300	B24SPSTW-G300
4"	5.77	4.80	1.19	4.95	5.77	5.75	6.50	B24PPHAP-G400	B24PPSTW-G400	B24SPHAP-G400	B24SPSTW-G400

- Santoprene - FDA approved material, maximum temperature **302°F** (SP)
- Polypropylene - maximum temperature **212°F** (PP)

**Note:** see ordering instructions on page 4.