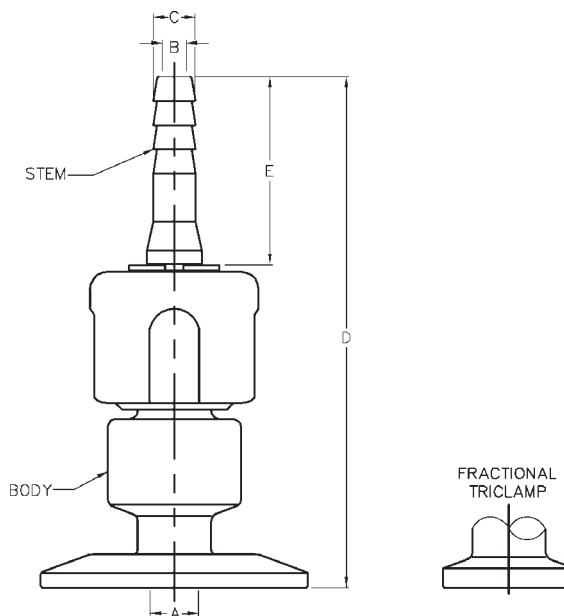




316L In-line Sample Valve



K

- all 316L stainless wetted part construction
- standard finish to 20 R_a ID / 32 R_a OD
- Viton® stem seal FDA approved
- fully traceable (*material test reports*)
- domed virgin Teflon® seat for positive closure
- tapered sanitary clamp connection prevents product back flow when installed in-line

- set screw stop prevents accidental removal of stem from valve body
- black nylon nut cover allows hand operation even with hot products
- minimal internal dead-leg area
- end connections available: clamp and buttweld
- sizes available: ½" and ¾"
- temperature rating: **300° @ 200 PSI**

Note: Not all valves available from stock.
* other valves available

Size		Part Number	Dimensions (in)					Weight (lbs)
clamp	barb		A	B	C	D	E	
½"	¼"	BSVICV-R050025	0.218	0.187	0.312	3.844	1.391	0.250
¾"	¼"	BSVICV-R075025	0.218	0.187	0.312	3.844	1.391	0.250

Repair Kit for In-line Sample Valve

Part Number	Description	Material	Qty.
BSVI-RKS	seal	Teflon®	1
	O-ring	Viton®	1