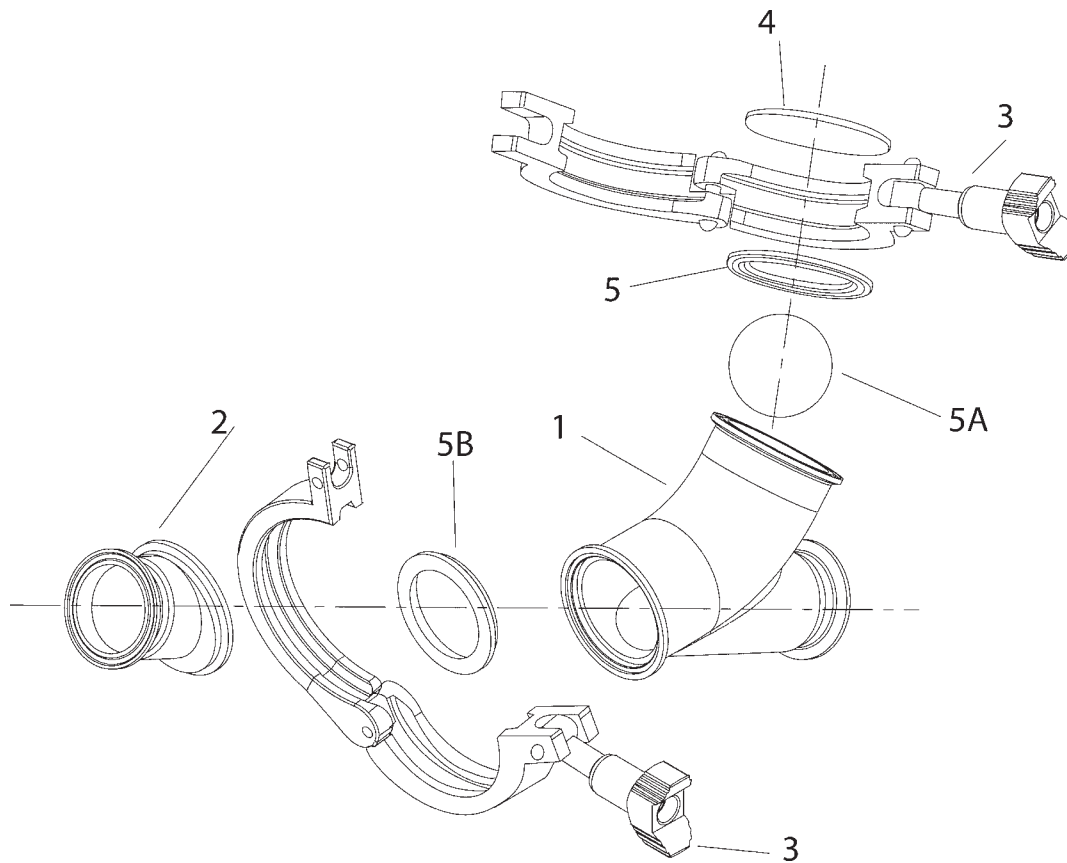




Ball Check Valve

Materials List



Item	Description	Material	Qty
1	angle body	CF8M	1
2	inlet body	CF8M	1
3	single pin clamp	CF8	2
4	clamp end cap	316L	1
5	cap gasket	EPDM	1
5a	ball	PTFE	1
5b	seat	EPDM/CF-8M	1

Repair Kits

Repair kit contains:

- (1) EPDM cap gasket
- (1) PTFE ball
- (1) EPDM/CF-8M seat

Size	Part #
1½"	B45BY-RK150
2"	B45BY-RK200
2½"	B45BY-RK250
3"	B45BY-RK300

Seal kit contains:

- (1) EPDM cap gasket
- (1) EPDM/CF-8M seat

Size	Part #
1½"	B45BY-SK150
2"	B45BY-SK200
2½"	B45BY-SK250
3"	B45BY-SK300