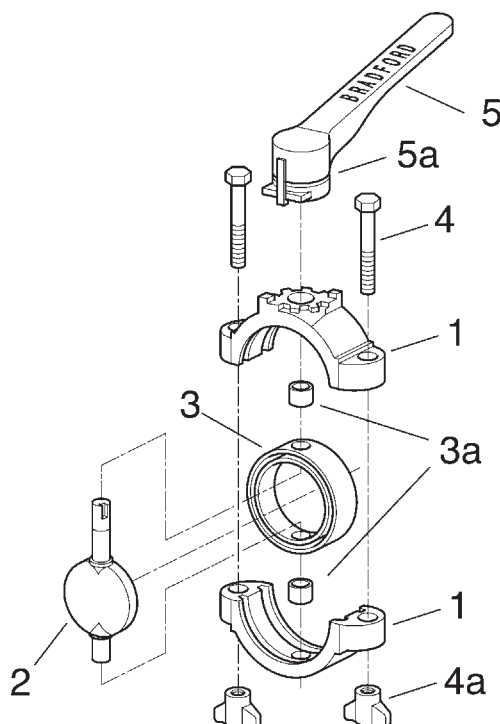


B5102 Series Butterfly Valve

Materials List



Item	Description	Material	Quantity
1	body half	CF8	2
1a	disc	316L	1
3	seat	silicone, EPDM, FKM	1
3a	bushing	PTFE	1
4	bolt	304	2
4a	wing nut	304	2
5	handle	CF8	1
5a	handle connector	CF8	1

M

B5102 Butterfly Valve Repair Kits

Size	(Red) Silicone Repair Kit Part Number	(Black) EPDM Repair Kit Part Number	(Black) FKM Repair Kit Part Number
1"	B5102-RKS100	B5102-RKE100	B5102-RKV100
1½"	B5102-RKS150	B5102-RKE150	B5102-RKV150
2"	B5102-RKS200	B5102-RKE200	B5102-RKV200
2½"	B5102-RKS250	B5102-RKE250	B5102-RKV250
3"	B5102-RKS300	B5102-RKE300	B5102-RKV300
4"	B5102-RKS400	B5102-RKE400	B5102-RKV400

Repair Kit contains:
 (1) silicone, EPDM,
 or FKM seal
 (2) bushings

Note: all dimensions are in inches. Dimensions are approximate. Engineering dimensions are available upon request. Specifications are subject to change without notice.