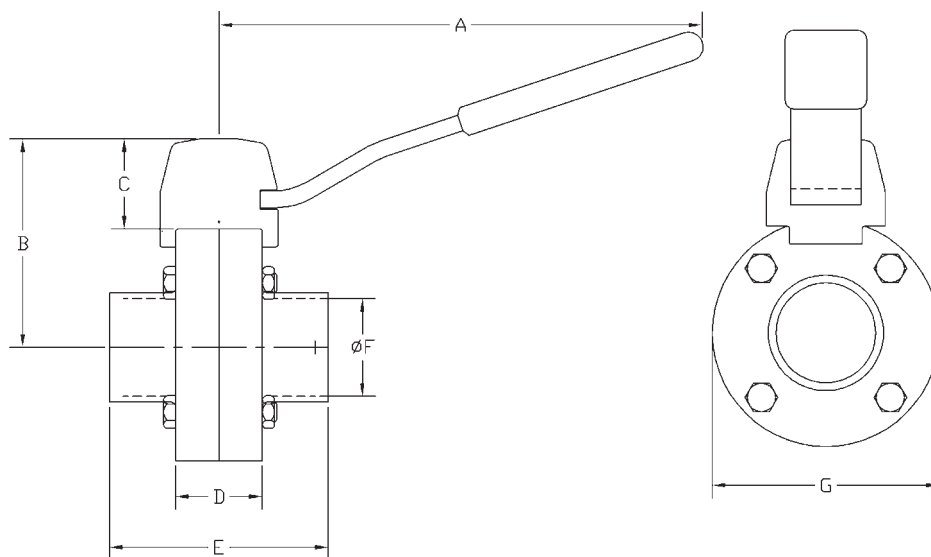




## B5104 Series Butterfly Valve

### Technical Data, Specifications and Dimensions

#### B5104 Series Butterfly Valve, Buttweld End



Size	Dimensions (in)						
	A	B	C	D	E	F	G
1"	6.6	2.9	1.2	1.9	3.0	0.9	3.1
1½"	6.6	2.9	1.2	1.9	3.0	1.4	3.1
2"	6.6	3.2	1.2	1.9	3.0	1.9	3.7
2½"	6.6	3.4	1.2	1.9	3.0	2.4	4.2
3"	6.6	3.7	1.2	1.9	3.0	2.9	4.8
4"	9.4	4.7	1.7	1.5	3.5	3.8	5.9

M



Size	Counterclockwise Handle			Clockwise Handle		
	Part Number with Silicone seats with buttweld end	Part Number with EPDM seats with buttweld end	Part Number with FKM seats with buttweld end	Part Number with Silicone seats with buttweld end	Part Number with EPDM seats with buttweld end	Part Number with FKM seats with buttweld end
1"	B5104S100BB-D	B5104E100BB-D	B5104V100BB-D	B5104S100BB-E	B5104E100BB-E	B5104V100BB-E
1½"	B5104S150BB-D	B5104E150BB-D	B5104V150BB-D	B5104S150BB-E	B5104E150BB-E	B5104V150BB-E
2"	B5104S200BB-D	B5104E200BB-D	B5104V200BB-D	B5104S200BB-E	B5104E200BB-E	B5104V200BB-E
2½"	B5104S250BB-D	B5104E250BB-D	B5104V250BB-D	B5104S250BB-E	B5104E250BB-E	B5104V250BB-E
3"	B5104S300BB-D	B5104E300BB-D	B5104V300BB-D	B5104S300BB-E	B5104E300BB-E	B5104V300BB-E
4"	B5104S400BB-D	B5104E400BB-D	B5104V400BB-D	B5104S400BB-E	B5104E400BB-E	B5104V400BB-E

**Note:** all dimensions are in inches. Dimensions are approximate. Engineering dimensions are available upon request. Specifications are subject to change without notice.