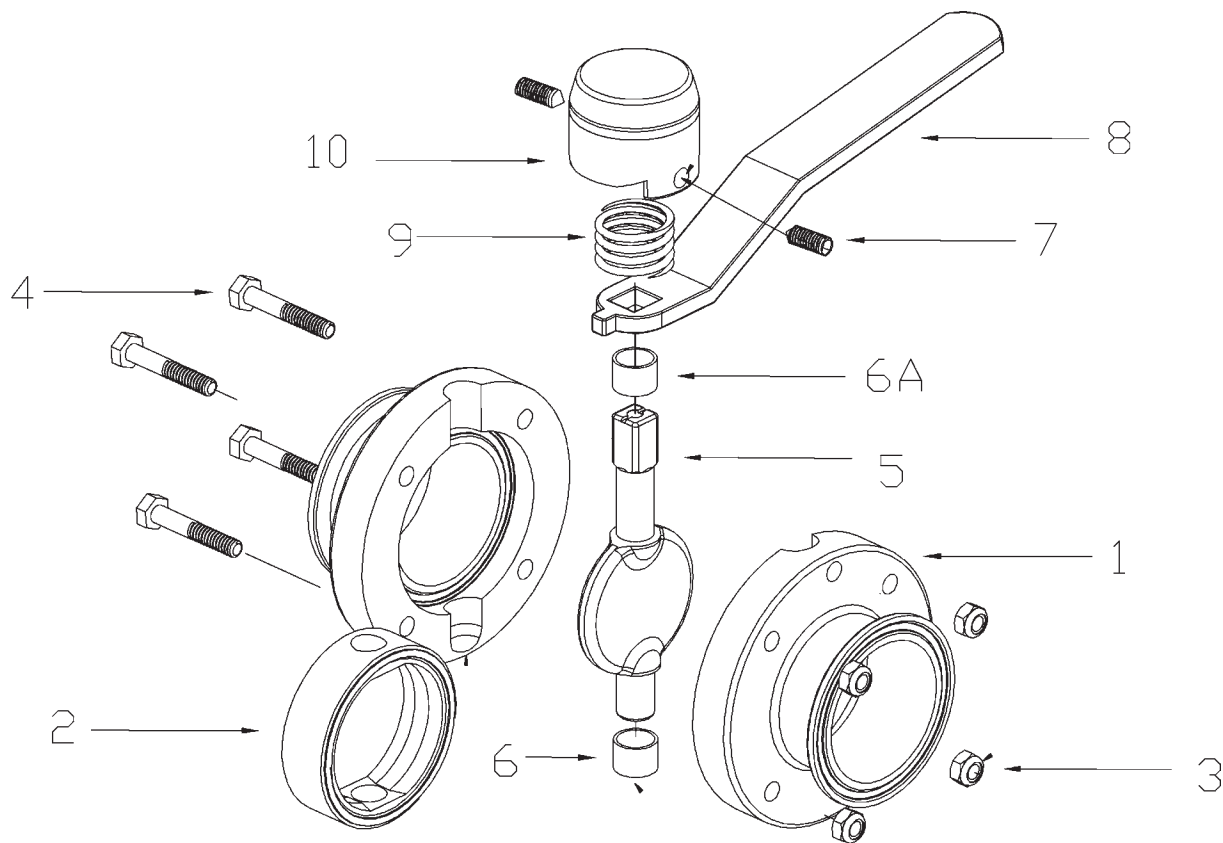




B5104 Series Butterfly Valve

Materials List



Item	Description	Material	Quantity
1	body half	316L	2
2	seat	silicone, EPDM, FKM	1
3	hex nut	304	4 *
4	bolt	304	4 *
5	disc	316L	1
6	bushing	PTFE	1
6a	split bushing	PTFE	1
7	hex socket screw	304	2
8	handle	CF8	1
9	spring	304	1
10	hub - (CCW or CW)	CF8	1

* 4" valve has quantity of 6 each

M

B5104 Butterfly Valve Repair Kits

Size	(Red) Silicone Repair Kit Part Number	(Black) EPDM Repair Kit Part Number	(Black) FKM Repair Kit Part Number
1"	B5104-RKS100	B5104-RKE100	B5104-RKV100
1½"	B5104-RKS150	B5104-RKE150	B5104-RKV150
2"	B5104-RKS200	B5104-RKE200	B5104-RKV200
2½"	B5104-RKS250	B5104-RKE250	B5104-RKV250
3"	B5104-RKS300	B5104-RKE300	B5104-RKV300
4"	B5104-RKS400	B5104-RKE400	B5104-RKV400

Repair Kit contains:
 (1) silicone, EPDM, or FKM seal
 (2) bushings