



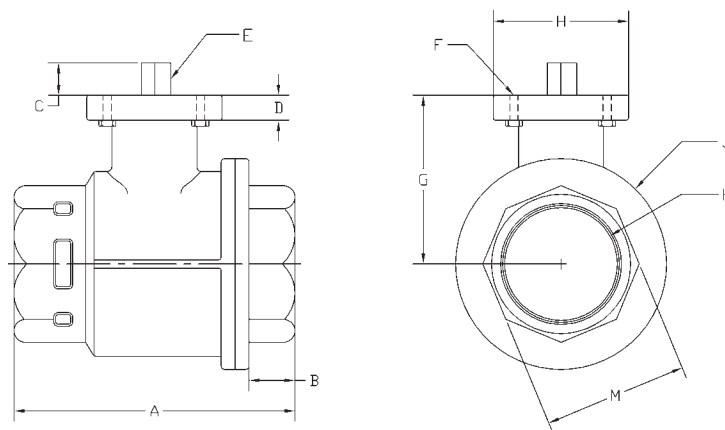
## 2 Piece Industrial Brass Ball Valve



- Full port brass ball vales w/FNPT ends
- Direct mounting ISO 5211 pad for low profile economical actuation
- Blow-out proof stem
- Brass stem and ball
- PTFE seats with double O-ring stem packing
- Pressure rating: **600 WOG**; **150 WSP**
- Maximum temperature: **320° F**
- FKM elastomers

Size	Part Number
1/4"	BV2BV-02511-A
3/8"	BV2BV-03811-A
1/2"	BV2BV-05011-A
3/4"	BV2BV-07511-A
1"	BV2BV-10011-A
1 1/4"	BV2BV-12511-A
1 1/2"	BV2BV-15011-A
2"	BV2BV-20011-A
2 1/2"	BV2BV-25011-A
3"	BV2BV-30011-A
4"	BV2BV-40011-A

### Dimensions for BV2BV



Size (in.)	Dimensions (inches)											ISO 5211	Break torque (in-lbs.)	Weight (lbs.)
	A	B	C	D	E (sq)	F Ø	G	H (sq)	J Ø	K Ø	M			
1/4"	2.6	0.4	0.4	0.2	0.4	0.2	1.3	1.5	1.3	0.4	1.1	F03	30	0.43
3/8"	2.6	0.4	0.4	0.2	0.4	0.2	1.3	1.5	1.3	0.4	1.1	F03	37	0.62
1/2"	2.6	0.5	0.4	0.2	0.4	0.2	1.3	1.5	1.3	0.6	1.1	F03	53	0.86
3/4"	3.0	0.6	0.4	0.2	0.4	0.2	1.4	1.5	1.6	0.8	1.3	F03	53	0.91
1"	3.4	0.7	0.4	0.2	0.4	0.2	1.8	1.5	1.9	1.0	1.6	F03	100	1.55
1 1/4"	3.7	0.7	0.4	0.2	0.4	0.2	1.9	1.5	2.3	1.2	2.0	F03	130	2.14
1 1/2"	4.1	0.7	0.4	0.4	0.4	0.3	2.5	2.0	2.9	1.5	2.2	F05	150	3.71
2"	4.8	0.7	0.4	0.3	0.4	0.3	2.9	2.0	3.6	2.0	2.8	F05	270	5.52
2 1/2"	6.1	0.9	0.6	0.4	0.6	0.4	3.5	2.8	4.5	2.5	3.5	F07	350	8.83
3"	6.9	1.0	0.6	0.4	0.6	0.4	3.9	2.8	5.4	3.0	4.1	F07	380	13.29
4"	8.0	1.1	0.7	0.3	0.7	0.4	4.6	2.8	6.5	3.7	5.1	F10	511	18.32

**Note:** all dimensions are in inches. Dimensions are approximate. Engineering dimensions are available upon request. Specifications are subject to change without notice.