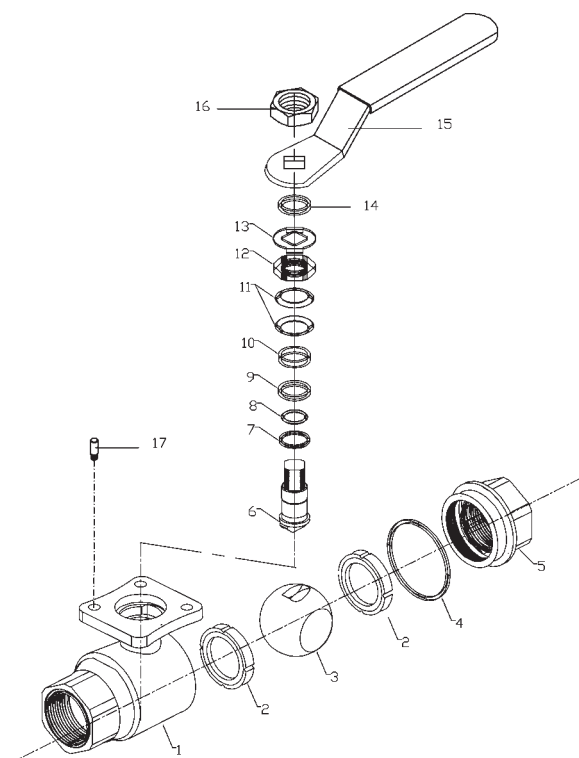


2 Piece Industrial Brass Ball Valve

Materials List for BV2BV

Item	Description	Material	Qty
1	body	brass	1
2	seat	PTFE	2
3	ball	brass	1
4	body seal	PTFE	1
5	end cap	brass	1
6	stem	brass	1
7	thrust washer	PTFE	1
8	o-ring	FKM	1
9	packing	PTFE	1
10	compression ring	brass	1
11	spring washer	301 stainless	2
12	gland nut	brass	1
13	washer	304 stainless	1
14	handle washer	304 stainless	1
15	handle w/cover	304ss / rubber	1
16	handle nut	304 stainless	1
17	stopper	304 stainless	1



Repair Kits for BV2BV

Seat Repair Kit

Size	Part Number
1/4"	BV-2B-VK025
3/8"	BV-2B-VK038
1/2"	BV-2B-VK050
3/4"	BV-2B-VK075
1"	BV-2B-VK100
1 1/4"	BV-2B-VK125
1 1/2"	BV-2B-VK150
2"	BV-2B-VK200
2 1/2"	BV-2B-VK250
3"	BV-2B-VK300
4"	BV-2B-VK400

Repair Kit contains:

- (2) PTFE seats
- (1) PTFE body seal
- (1) PTFE thrust washer
- (1) FKM O-ring
- (1) PTFE packing

N