



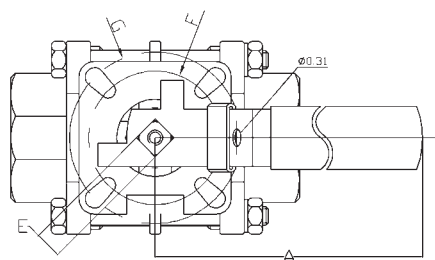
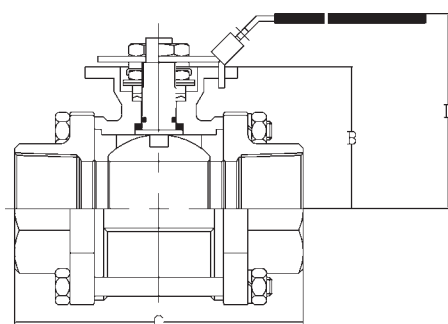
3 Piece Industrial Stainless Steel Ball Valve



- Full port stainless steel with female NPT ends
- ISO 5211 mounting pad
- 316 stainless steel stem
- CF8M body and ball
- Swing out design for easy maintenance
- PTFE seats and seals
- Spring-loaded stem packing using Belleville washers
- Pressure rating: ½" to 2" **1000 PSI WOG @ 65°F**
2½" to 3" **800 PSI WOG @ 65°F**
4" **600 PSI WOG @ 65°F**
- Temperature range: **-40°F to 400°F**

Size	Part Number
½"	BV2IG-05011-A
¾"	BV2IG-07511-A
1"	BV2IG-10011-A
1¼"	BV2IG-12511-A
1½"	BV2IG-15011-A
2"	BV2IG-20011-A
2½"	BV2IG-25011-A
3"	BV2IG-30011-A
4"	BV2IG-40011-A

Dimensions for BV2IG



Size (in.)	Dimensions					ISO5211		Break torque (in-lbs.)	Weight (lbs.)
	A (in)	B (in)	C (in)	D (in)	E (mm)	F	G		
½"	4.4	1.5	2.5	2.9	9	F03	F04	76	1.26
¾"	4.4	1.8	2.9	3.2	9	F03	F04	78	1.57
1"	5.4	2.1	3.2	3.6	11	F04	F05	211	2.27
1¼"	7.3	2.3	3.7	3.9	11	F04	F05	331	3.44
1½"	7.8	2.9	4.3	4.5	14	F05	F07	450	5.51
2"	7.8	3.3	4.8	4.9	14	F05	F07	719	7.58
2½"	10.4	4.3	6.2	6.1	17	F07	F10	891	14.11
3"	10.4	4.7	7.5	8.2	17	F07	F10	944	24.69
4"	12.8	6.1	8.9	8.5	22	F07	F12	1872	48.50

Note: all dimensions are in inches. Dimensions are approximate. Engineering dimensions are available upon request. Specifications are subject to change without notice.