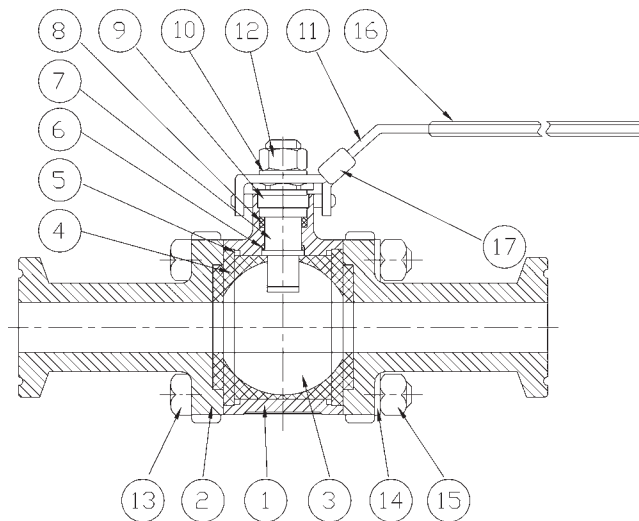


Non-Encapsulated 2-way 3 Piece Stainless Steel Ball Valve

Materials List for BV2GG

Item	Description	Material	Qty	
			½" to 3"	4"
1	body	CF8M stainless	1	1
2	end (4-bolt)	316 stainless	2	2
3	ball	CF8M stainless	1	1
4	seat	RTFE	2	2
5	gasket	RTFE	2	2
6	thrust washer	RTFE	1	1
7	stem	316 stainless	1	1
8	stem packing	RTFE	3	3
9	gland	304 stainless	1	1
10	bevel washer	301 stainless	1	1
11	handle	304 stainless	1	1
12	spring washer	304 stainless	1	1
13	bolt	304 stainless	4	6
14	bolt washer	304 stainless	4	6
15	bolt nut	304 stainless	4	6
16	handle sleeve	vinyl	1	1
17	lock plate	304 stainless	1	1



Repair Kits for BV2GG

Seat Repair Kit

Size	Part Number
½"	BV-2G-GK050
¾"	BV-2G-GK075
1"	BV-2G-GK100
1½"	BV-2G-GK150
2"	BV-2G-GK200
2½"	BV-2G-GK250
3"	BV-2G-GK300
4"	BV-2G-GK400

Repair Kit contains:

- (2) RTFE seats
- (2) RTFE gaskets
- (1) RTFE thrust washer
- (3) RTFE stem packing

N