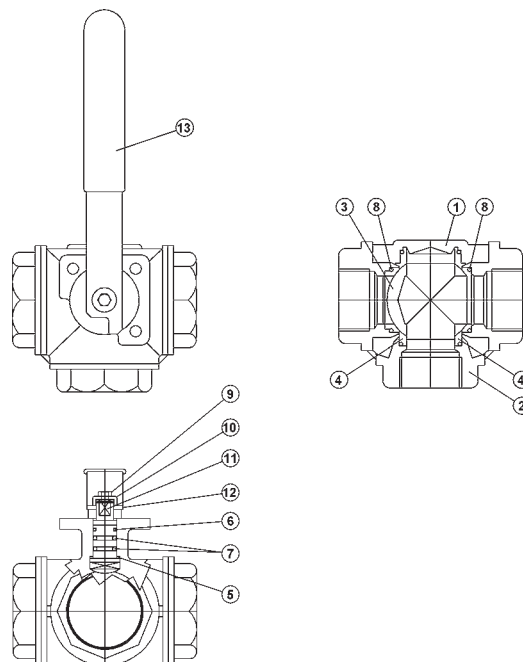




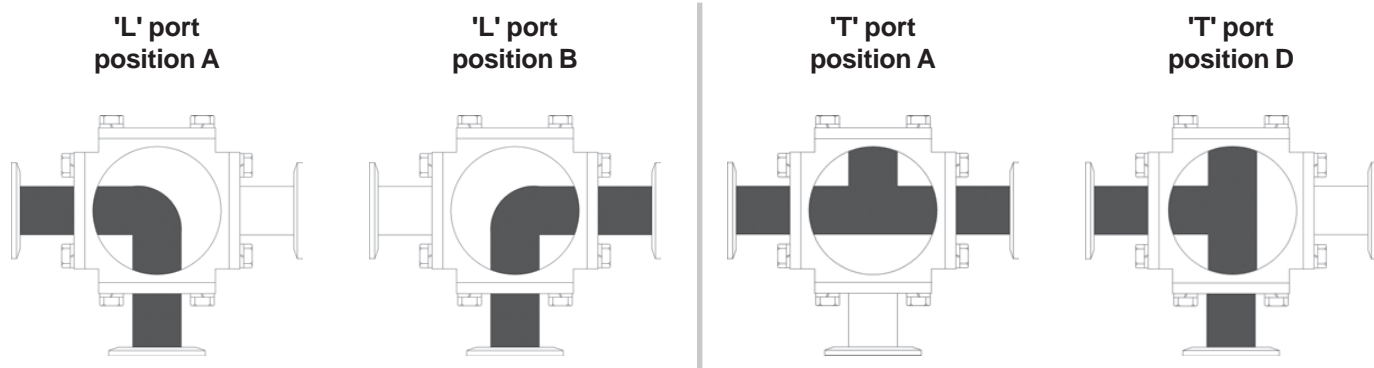
Multi-port Industrial Brass Ball Valve

Materials List for BV3BV

Item	Description	Material	Qty
1	body	brass	1
2	end connection	brass	3
3	ball	brass	1
4	ball seat	PTFE	4
5	thrust washer	PTFE	1
6	stem seal	PTFE	1
7	O-ring stem	FKM	1
8	O-ring body	FKM	4
9	screw	steel	1
10	bushing	brass	1
11	stem	brass	1
12	washer	nylon	1
13	handle	steel & rubber	1



Flow Paths for BV3BV



Alternate flow paths are available upon request, refer to page 127.

Repair Kits for BV3BV

Seat Repair Kit

Size	Part Number
¼"	BV-3B-GK0251
3/8"	BV-3B-GK0381
½"	BV-3B-GK0501
¾"	BV-3B-GK0751
1"	BV-3B-GK1001
1½"	BV-3B-GK1501
2"	BV-3B-GK2001
2½"	BV-3B-GK2501
3"	BV-3B-GK3001

Repair Kit contains:

- (4) PTFE ball seats
- (1) PTFE thrust washer
- (1) PTFE stem seal
- (1) FKM O-ring stem
- (4) FKM O-ring body