

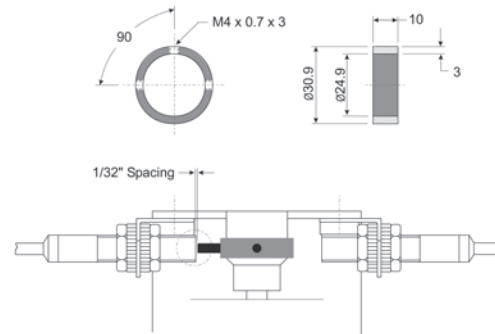
Inductive Proximity Sensors

Part # PS-AM1-AP-2A
Specifications

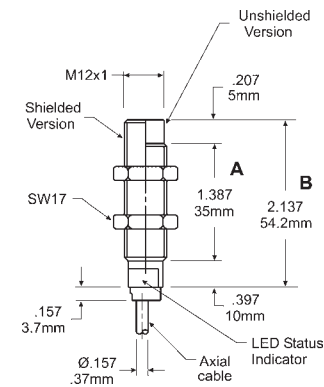
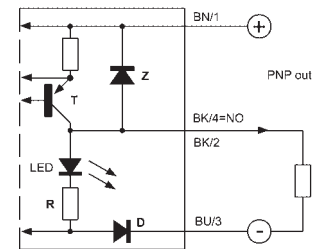
Sensing Range	0-4mm
Housing	Unshielded - nickel plated brass housing
Output State	Normally Open
Logic	PNP
Connection	2m axial cable
Wiring	see diagram 1
Dimensions	see diagram 2
Size	M12
Power	10-30 VDC
Rating	IP 67 w/ complete overload protection
Differential Travel	2 to 10%
Repeat Accuracy	≤ 2%
Ripple	≤ 10%
No Load Supply Current	≤ 20mA
Load Current	≤ 200mA
Leakage Current	≤ 10μA
Voltage Drop	1.2 Volts maximum
Switching Frequency	2KHz
(tv) Time Delay before availability	100ms
Input Voltage Transient Protection	up to 30 VDC
Output Power Short-Circuit Protection	yes (switch auto resets after overload is removed)
Temperature Range	-25° to 70° C
Temperature DRIFT	10% Sr
Protection Degree (DIN 40050)	IEC IP67
LED Indicators	yellow (N.O. output energized)
Sensing Face Material	PBT
Tightening Torque	88 in-lb
Weight	70g
Material Correction Factors	SS (x0.85) - steel type FE 360(x1.00)

Other voltages, housings, and options available.

2 Socket Bolt
M4xL10mm 90° apart



PNP Output



Bracket Mounted Micro-Switches

These bracket mounted mechanical micro switches are mounted directly to the bracket between the actuator and the valve. This is the most economical means of sending a signal for open and close indication.

- Input voltage: 24 to 48VDC; 110 to 250 VAC
- Maximum current: 5 amps
- Life cycles mechanical: 5,000,000
- Temperature range: 40°F to 175°F

