



## Limit Switches for Pneumatic Actuators

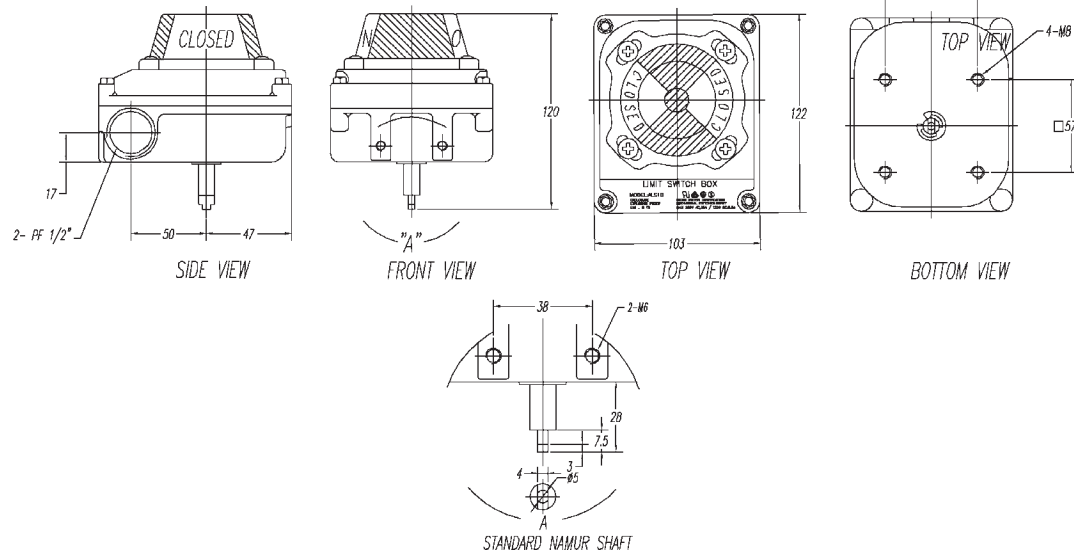
### Features

- Compact, cost-efficient, low profile limit switches for both local and remote indication of valve and/or actuator position
- Wide variety of switch options are available
- Visual position indicator
- Quick-Set cam
- Multipoint terminal strip
- Dual wire potting
- Captive cover bolts
- UL and CENEFLEC approved
- NEMA 4, 4X, 7 and 9
- Standard NAMUR mounting

### Technical Specifications

- Enclosure: weatherproof, 1P67
- Temperature range: **-4°F (20°C) to 185°F (85°C)**
- Cable entry: 2 x 1/2" NPT
- Terminal strip: 8 points
- Position indicator: 0 - 90: open - yellow, close - red
- Switch type: 2 SPDT mechanical switches
- Painting: black polyester powder coating
- Bracket: stainless steel

### XLS-B4A0120P (NEMA 4/4x enclosure)



0

### XLS-B7A0120P (NEMA 7 enclosure)

