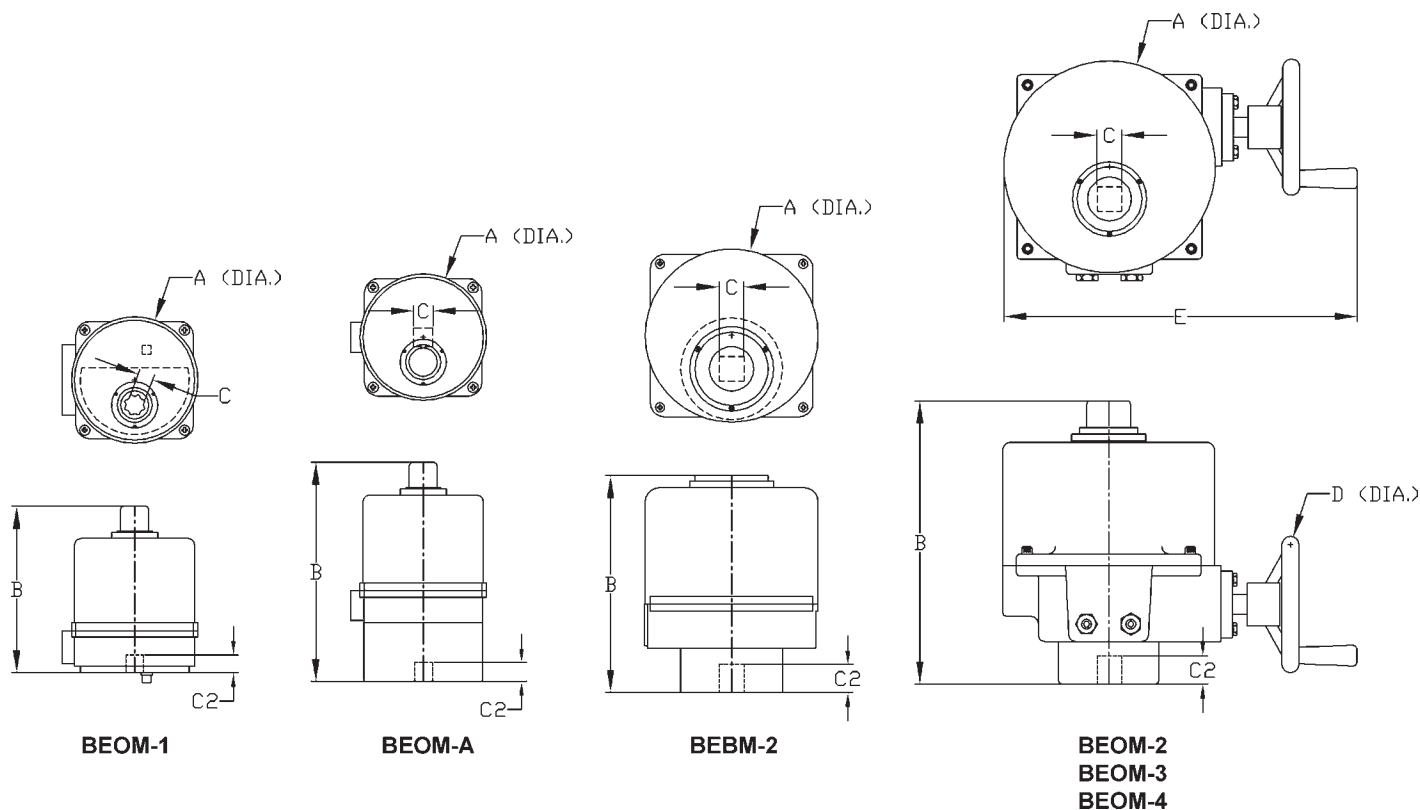




Electric Actuation

Dimensions



| Part Number | inches (mm) | | | | | | Flange Type |
|------------------|-------------|------------|--------------|----------|-----------|------------|-------------|
| | A Ø | B | C sq maximum | C2 depth | D Ø | E | |
| BEOM-1 | 4.5 (114) | 6.1 (155) | 0.6 (14) | 0.6 (15) | --- | --- | F03 / F05 |
| BEOM-A | 4.5 (114) | 8.0 (203) | 0.7 (17) | 0.6 (16) | --- | --- | F07 |
| BEBM-2 | 6.1 (154) | 7.6 (192) | 0.9 (22) | 1.2 (30) | --- | --- | F07 |
| BEOM-2 BEOM-3 | 7.1 (180) | 10.0 (255) | 0.9 (22) | 1.2 (30) | 4.8 (123) | 12.8 (326) | F07 |
| BEOM-4 | 8.5 (217) | 12.5 (317) | 1.4 (35) | 1.6 (40) | 7.6 (194) | 15.5 (394) | F10 |