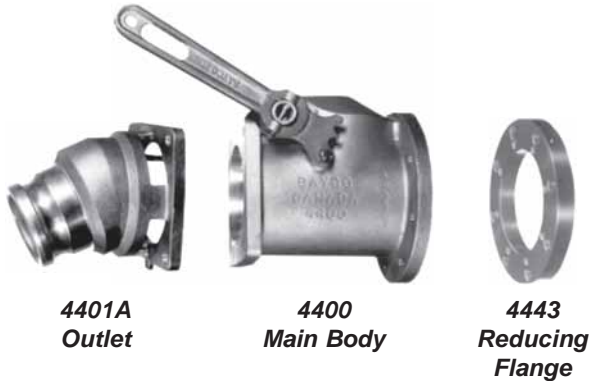


4" Tanker Faucets

Tanker faucets are dependable valves used for tanker gravity offloading of petroleum or other products.

The system consists of: a main body with handle activated flapper valve, a choice of bolt-on sight glass outlets and, a reducing flange if required.

Faucet Systems



- Faucet system includes main body, choice of outlets with sight glass and reducing flange (*order each separately*)
- Aluminum main body with 4" TTMA mounting flange and bronze handle operating internal flapper
- Body includes spring loaded flapper valve with Viton® seal and 4" square outlet flange
- 4443 reducing flange (4" TTMA to 3" TTMA) allows main body to bolt to 3" TTMA flange
- Bronze handle 4416 included when ordering main body

Note: Order main body, outlet and reducing flange separately.

See below for available outlets.

See *page 7* for tank truck gaskets.

Part #	Description
4400	Main body (<i>includes 4416 handle</i>)
4443	Reducing flange

Faucet Outlets



- Square flanged for mounting to 4400 body
- Comes with acrylic sight glass, two Buna seals and four stainless steel mounting bolts
- Cast aluminum body construction
- Choice of four adapters / couplers shown

Part #	Description
4401	4" x 22½° adapter
4401A	3" x 22½° adapter
4401S	4" straight adapter
4401-1	4" x 22½° coupler