

Butterfly Valves

Housing: Aluminum

Discs: Type 316 stainless or nodular iron

Stem Packing: Buna-N

Stem Bushings: Thermal plastic polymer, top and bottom

Resilient Seat: Nitrile

Handle: High strength 713 alloy aluminum with retrogressive reaging process - stronger than industry standard cast iron handles. Stainless steel spring and locking lever pin.

Throttling Plate: Five position, high strength aluminum alloy

Nodular Iron

- Aluminum body
- Nodular iron disc
- 17-4 stainless steel stem
- Nitrile, FDA approved
Black seat



Complete Valve with Nodular Iron Disc		Nodular Iron Replacement Discs		Black Replacement Nitrile Seats	
Size	Part Number	Size	Part Number	Size	Part Number
2"	2-400-1500	2"	2-400-422237F	2"	2-400-422500
3"	3-400-1500	3"	3-400-422237F	3"	3-400-422500
4"	4-400-1500	4"	4-400-422237U	4"	4-400-422500
4" TTMA	4A-400-1500	5"	5-400-422237U	4"	4A-400-422500
5"	5-400-1500	6"	6-400-422237U	5"	5-400-422500
6"	6-400-1500			6"	6-400-422500

Order handles separately, see page 13.

Stainless Steel

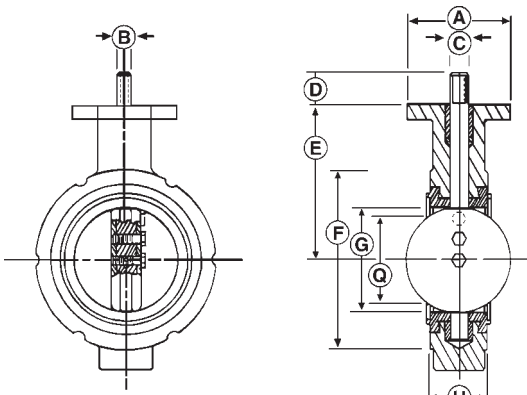
- Aluminum body
- 316 stainless steel disc
- 17-4 stainless steel stem
- Nitrile, FDA approved
White seat



Complete Valve with 316 Stainless Steel Disc		316 Stainless Steel Replacement Discs		White Replacement Nitrile Seats	
Size	Part Number	Size	Part Number	Size	Part Number
3"	3-400-3501	2"	2-400-422209F	2"	2-400-422501
4"	4-400-3501	3"	3-400-422209F	3"	3-400-422501
5"	5-400-3501	4"	4-400-422209U	4"	4-400-422501
6"	6-400-3501	5"	5-400-422209U	4"	4A-400-422501
		6"	6-400-422209U	5"	5-400-422501
				6"	6-400-422501

Order handles separately, see page 13.

Dimensions and Weights



Size	Dimensions									Weight in Lbs.
	A	B	C	D	E	F	G	H	Q	
2"	4.000	.375	.563	1.250	3.938	4.125	2.125	1.625	1.688	3
3"	4.000	.375	.563	1.250	4.875	5.375	3.125	1.750	2.875	5
4"	4.000	.438	.625	1.250	6.000	6.875	4.125	2.000	3.875	8
5"	4.000	.438	.625	1.250	6.000	7.625	5.188	2.125	5.000	9
6"	4.000	.438	.625	1.250	6.500	8.750	6.125	2.125	6.000	9

NOTES:

- Q dimension is the minimum allowable inside diameter of the pipe or mating flange.