

# GENERAL PURPOSE

## NON-PERFORATED BAND CLAMPS

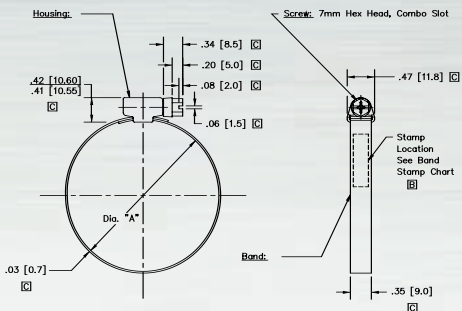
Preferred by the European original equipment and replacement markets, the non-perforated band protects silicone and other soft hose surfaces from extruding or shearing during installation. Available in 9mm and 12mm band widths in both part stainless (W2) and all stainless (W4) configurations.

### Ideal 53101 Series / Tridon 901 Series

Non-perforated clamp design

Screw: 7mm hex-head. Combination slot.  
Plated carbon steel.

Band and housing: 9mm design.  
300 grade stainless steel.

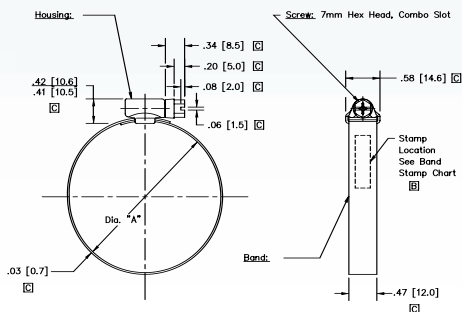


### Ideal 53102 Series / Tridon 902 Series

Non-perforated clamp design.

Screw: 7mm hex-head. Combination slot.  
Plated carbon steel.

Band and housing: 12mm design.  
300 grade stainless steel.

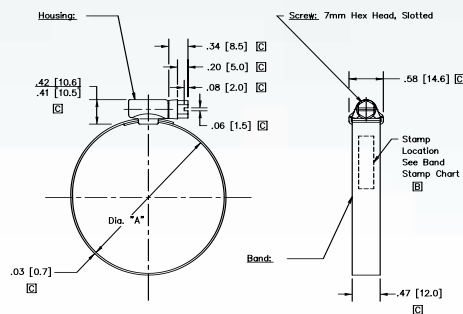


### Ideal 53104 Series / Tridon 904 Series

All 300 grade stainless steel, non-perforated clamp design.

Screw: 7mm hex-head. Slotted. 300 grade stainless steel.

Band and housing: 12mm design. 300 grade stainless steel.



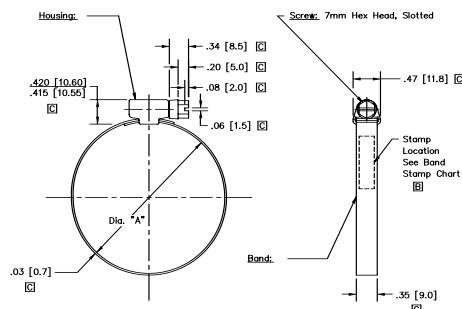
Measurements in illustrations are in inches [millimeters]

### Ideal 53103 Series / Tridon 903 Series

All 300 grade stainless steel, non-perforated clamp design.

Screw: 7mm hex-head. Slotted. 300 grade stainless steel.

Band and housing: 9mm design. 300 grade stainless steel.



Also Available In  
**316**  
STAINLESS STEEL