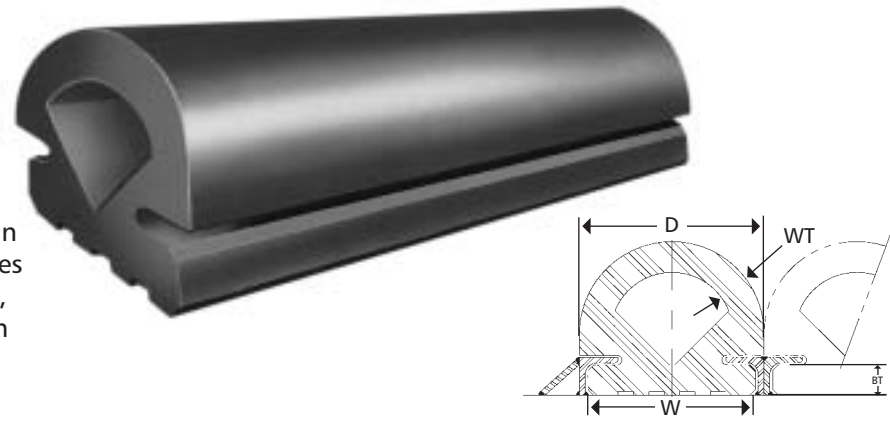


500 SERIES FAN NOSE

For a professional looking D-shaped installation try our fan nose bumper. Held on the vessel, truck or dock in an angle iron channel, no mounting holes are necessary. Manufactured in black, non-marking grey and white EPDM in most sizes.



CODE NO.	DURAMAX PART NO.	BASE WIDTH (W)	BASE THICKNESS (BT)	OUTSIDE DIAM. (D)	WALL THICKNESS (WT)	WT./ FT.	LENGTH UP TO
DB-503**	802050301	2 1/2"	17/32"	3"	5/8"	2.5 LBS.	60 FT.
DB-504**	802050401	3 3/4"	25/32"	4 1/4"	3/4"	3.2 LBS.	60 FT.
DB-506**	802050601	5 7/16"	1"	6"	1"	9.0 LBS.	20 FT.
DB-508**	802050801	7 1/4"	1 3/16"	8"	1 1/2"	15.5 LBS.	20 FT.
DB-510**	802051001	9 1/4"	1 11/16"	10"	1 1/2"	24.8 LBS.	20 FT.
DB-512**	802051201	11"	2"	12"	2"	28.6 LBS.	20 FT.

** Cross section also extruded in white and non-marking grey
* Confirm piece length with Duramax Marine prior to ordering
* Part numbers for black only

600 SERIES RECTANGULAR CHAIN

Unique Johnson rectangular solid bumper includes a continuous chain throughout the piece length. Standard leaders on ends are 6 inches long, but longer lengths are available upon request.



CODE NO.	DURAMAX PART NO.	BASE WIDTH (W)	HEIGHT (H)	CHAIN SIZE	WT./FT.	PROOF COIL CHAIN LOAD LIMIT	ALLOY CHAIN LOAD LIMIT
DB-604	802060401	5"	5"	5/16"	14 LBS.	1750 LBS.	4250 LBS.
DB-605	802060501	5"	5"	5/16"	18 LBS.	1750 LBS.	4250 LBS.
DB-606	802060601	6"	6"	3/8"	22 LBS.	2450 LBS.	6600 LBS.
DB-608	802060801	8"	8"	1/2"	36 LBS.	4250 LBS.	11250 LBS.
DB-609	802060901	8"	8"	5/8"	46 LBS.	6375 LBS.	16500 LBS.
DB-610	802061001	10"	10"	5/8"	65 LBS.	6375 LBS.	16500 LBS.
DB-612	802061201	12"	12"	5/8"	85 LBS.	6375 LBS.	16500 LBS.
DB-614	802061401	14"	14"	5/8"	110 LBS.	6375 LBS.	16500 LBS.

** Cross section also extruded in white and non-marking grey

700 SERIES CYLINDRICAL CHAIN

Unique Johnson cylindrical solid bumper includes a continuous chain throughout the piece length. Standard leaders on ends are 6 inches long, but longer lengths are available upon request.

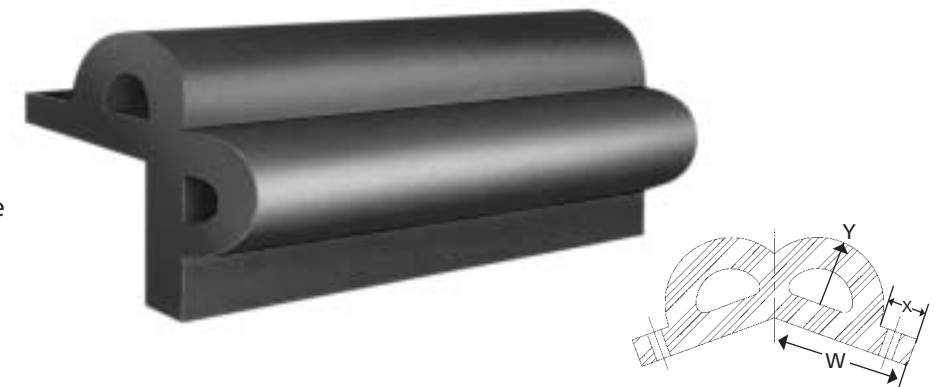


CODE NO.	DURAMAX PART NO.	OUTSIDE DIAMETER (D)	CHAIN SIZE	APPROX. WT./FT.	PROOF COIL CHAIN LOAD LIMIT	ALLOY CHAIN LOAD LIMIT
DB-705	802070501	5"	5/16"	12 LBS.	1750 LBS.	4250 LBS.
DB-706	802070601	6"	3/8"	16 LBS.	2450 LBS.	6600 LBS.
DB-707	802070701	7"	1/2"	23 LBS.	4250 LBS.	11250 LBS.
DB-708	802070801	8"	5/8"	30 LBS.	6375 LBS.	16500 LBS.
DB-709	802070901	9"	5/8"	37 LBS.	6375 LBS.	16500 LBS.
DB-710	802071001	10"	3/4"	47 LBS.	9125 LBS.	23000 LBS.
DB-711	802071101	11"	3/4"	55 LBS.	9125 LBS.	23000 LBS.
DB-712	802071201	12"	1"	68 LBS.	12400 LBS.	38750 LBS.

** Cross section also extruded in white and non-marking grey
* Confirm piece length with Duramax Marine prior to ordering
* Part numbers for black only

800 SERIES CORNER GUARD

Hard to protect corners? Check out the Johnson corner guard design



CODE NO.	DURAMAX PART NO.	BASE WIDTH (W)	BASE THICKNESS (BT)	WING LENGTH (X)	OUTSIDE DIAMETER (Y)	WT./FT.	LENGTH UP TO
DB-809	802080901	5 9/16"	1 1/2"	2"	3"	21 LBS.	10 FT.

** Cross section also extruded in white and non-marking grey
* Confirm piece length with Duramax Marine prior to ordering
* Part numbers for black only