

CT365PHE

CovTech™ White Coverall with elastic sleeves & ankles, attached hood.
S-X4

CT365NO

CovTech™ White Coverall with open sleeves & ankles, no hood or boots.
S-X4

CT365AE

CovTech™ White Coverall with elastic sleeves & ankles, attached hood and boots.
L-X4

CT365NE

CovTech™ White Coverall with elastic sleeves & ankles - no hood or boots
L-X4

CT365NSC

CovTech™ White Non-skid Shoe Cover
One Size

CT0365PHE*

CovTech™ Orange Coverall with elastic sleeves & ankles, attached hood.
S-X4

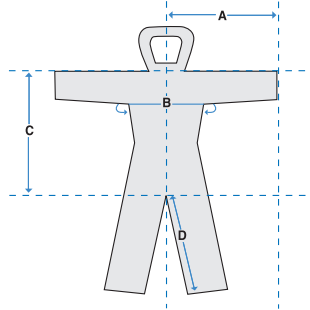
CT0365NSC*

CovTech™ Orange Non-skid Shoe Cover
One Size

Garment Size - Dimensions

Sizes are as follows (in inches) +/- .3 inch

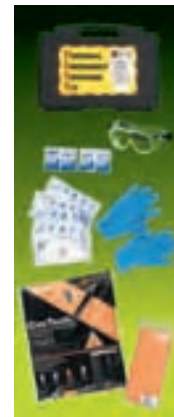
SIZES	A	B	C	D	Part #
SM	34	48	35	30	CT365PHES
MD	36	50	36	32	CT365PHEM
LG	37	51	37	33	CT365PHEL
XL	39	55	38	33	CT365PHEXL
2XL	40	58	38	33	CT365PHE2X
3XL	42	62	39	34	CT365PHE3X
4XL	42	65	40	35	CT365PHE4X



*Orange material complies with ASTM F1671 test standard for protection against bacterial and viral agents, including HIV and the Avian Influenza A (H5N1) virus.

PERK Kit

Personal Emergency Response Kit Contains: 1 Covtech™ Disposable protective coverall, 1 pair safety goggles, 5 N95 Valved flat fold respirators (individually wrapped), 5 pair medical grade nitrile disposable gloves, 2 pair non-skid shoe covers, 4 purell hand sanitizing wipes, and 1 hazard guideline.
Size: M, L, XL



COVTECH™

