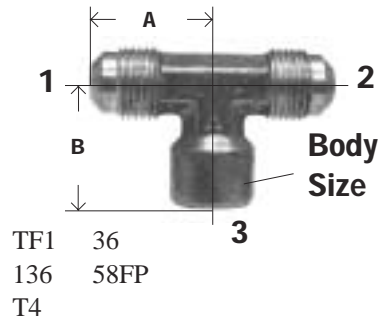


BRASS FITTINGS

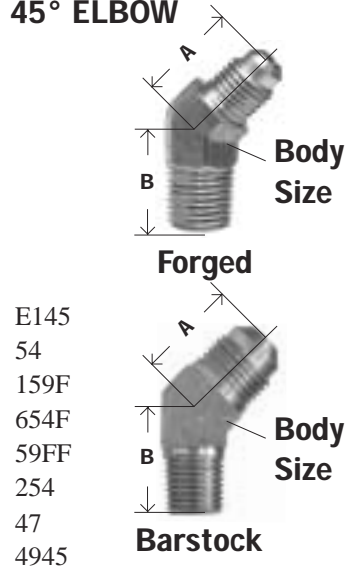
45° FLARE

FORGED FEMALE BRANCH TEE



Part #	Male Flare x Female NPTF (1&2) x 3	A	B	Body Size	Approx. Wt. Lbs.	List Price
10-429	1/4" x 1/4"	0.97	0.75	0.69	0.12	7.66
10-430	3/8" x 1/4"	1.00	1.03	0.47	0.14	9.28
10-431	3/8" x 3/8"	1.17	0.69	1.05	0.22	14.41
10-432	3/8" x 1/2"	1.16	0.69	1.05	0.19	13.61
10-434	1/2" x 1/2"	1.31	0.69	1.06	0.22	15.08
10-435	5/8" x 1/2"	1.38	0.76	1.06	0.24	12.21

45° ELBOW



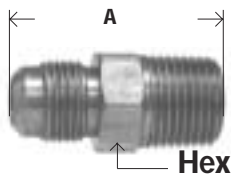
SAE# 010302

Part #	Male Flare x Male NPTF	A	B	Body Size	Approx. Wt. Lbs.	List Price
10-448	1/4" x 1/8"	0.67	0.64	0.41	0.04	3.85
10-448B*	1/4" x 1/8"	0.67	0.64	0.44	0.04	5.66
10-449	1/4" x 1/4"	0.75	0.86	0.53	0.07	5.59
10-450	5/16" x 1/8"	0.78	0.64	0.53	0.06	6.35
10-451	5/16" x 1/4"	0.81	0.86	0.53	0.07	5.49
10-452	3/8" x 1/4"	0.91	0.86	0.53	0.09	4.84
10-452B*	3/8" x 1/4"	0.89	0.86	0.64	0.12	8.38
10-453	3/8" x 3/8"	0.93	0.94	0.59	0.11	5.82
10-454	3/8" x 1/2"	0.99	1.17	0.75	0.19	8.38
10-455	1/2" x 3/8"	1.07	0.88	0.59	0.12	6.74
10-455B*	1/2" x 3/8"	1.06	0.94	0.76	0.18	10.29
10-456	1/2" x 1/2"	1.12	1.18	0.75	0.20	9.77
10-460	5/8" x 3/8"	1.13	0.95	0.81	0.22	11.81
10-457	5/8" x 1/2"	1.12	1.17	0.78	0.18	10.65
10-458	3/4" x 1/2"	1.28	1.16	0.88	0.26	16.14
10-459	3/4" x 3/4"	1.41	1.20	0.88	0.31	17.47

* Barstock

BRASS GAS RANGE FITTINGS

BRASS MALE ADAPTERS



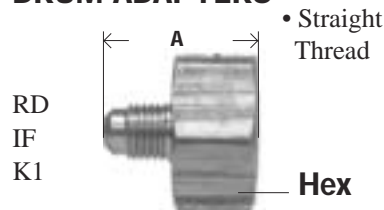
Part #	Male Flare x Male NPTF	A	Hex	Approx. Wt. Lbs.	List Price
35-132	1/2" x 1/2" (3/8" FIP TAP)	1.88	0.87	0.16	4.62
35-134	15/16" x 1/2"	1.90	0.94	0.14	4.45
35-135	15/16" x 3/4"				5.87

BRASS FEMALE ADAPTERS



Part #	Flare x FIP	A	Hex	Approx. Wt. Lbs.	List Price
35-136	5/16" x 1/2"				7.66
35-142	5/16" x 3/4"				9.54

DRUM ADAPTERS



SAE# 010165

Part #	Male Flare x FIP	A	Hex	Approx. Wt. Lbs.	List Price
50-011	1/4" x 1/2"	1.12	1.12	0.12	10.48
50-001	1/4" x 3/4"	1.16	1.25	0.14	12.82

