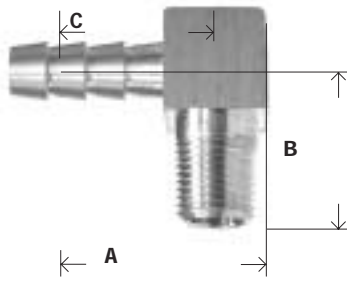


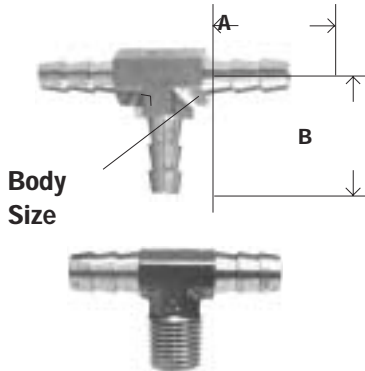
**BARSTOCK HOSE BARB 90° ELBOW**



Part #	Hose I.D. x Male NPTF	A	B	C	Body Size	Weight per Piece. Lbs	List Price
32-308B	3/16" X 1/8"	0.97	0.72	0.75	0.43	0.04	5.52
32-038B	1/4" X 1/8"	1.00	0.75	0.75	0.50	0.02	4.85
32-039B	1/4" X 1/4"	1.02	0.91	0.74	0.56	0.04	6.21
32-041B	3/8" X 1/4"	1.32	0.89	0.97	0.58	0.08	6.99
32-042B	3/8" X 3/8"	1.50	1.06	0.97	0.75	0.14	11.06
32-043B	1/2" X 3/8"	1.53	1.07	0.97	0.72	0.16	10.51

129HB

**HOSE BARB TEES**

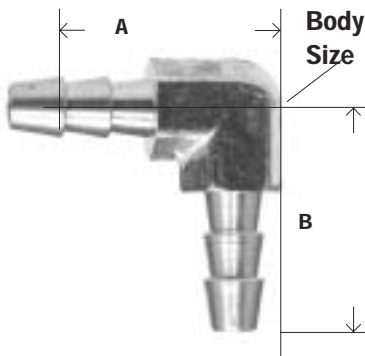


32-128

Part #	Hose Barb Size	A	B	Body Size	Weight per Piece. Lbs	List Price
32-367	1/8"	0.84	0.83	0.25	0.02	2.90
32-365	1/4"	1.00	1.00	0.44	0.06	3.53
32-366	5/16"	1.00	1.00	0.44	0.06	3.89
32-126	3/8"	1.01	1.01	0.43	0.06	3.25
32-400	1/2"	1.02	1.00	0.43	0.08	3.72
32-128	3/8" HB x 1/4" MIP	1.00	0.94	0.43	0.06	8.15

\* See Bronze insert fittings on page 268 for larger sizes.

**90° HOSE BARB ELBOW**



Part #	Hose I.D. x Hose I.D.	A	B	Body Size	Weight per Piece. Lbs	List Price
32-412	1/4" x 1/8"	1.02	1.02	0.44	0.04	2.43
32-413	1/4" x 1/4"	1.01	1.01	0.44	0.04	3.02
32-414	3/8" x 1/8"	1.01	1.01	0.44	0.04	3.22
32-415	3/8" x 1/4"	1.00	1.00	0.44	0.04	3.23
32-416	3/8" x 3/8"	1.02	1.02	0.44	0.04	2.82
32-417	3/8" x 1/2"	1.24	1.10	0.50	0.06	3.97
32-418	1/2" x 1/4"	1.24	1.08	0.50	0.06	4.12
32-419	1/2" x 3/8"	1.22	1.09	0.50	0.06	4.12
32-420	1/2" x 1/2"	1.24	1.24	0.50	0.06	4.12

I believe that every right implies a responsibility;  
every opportunity an obligation; every possession,  
a duty.

- John D. Rockefeller

