

GAS BALL VALVES

**ISO 9002 Manufacturer
FEATURES**

CS 5 PSIG
C US
CSA AGA 3.88 5 PSIG

UL LISTED
Manual Valve
Threaded NPT
UL 842, UL 258, UL 125

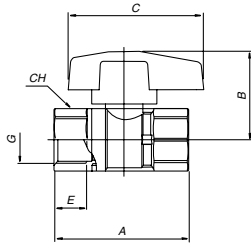
Made in China

VALVES

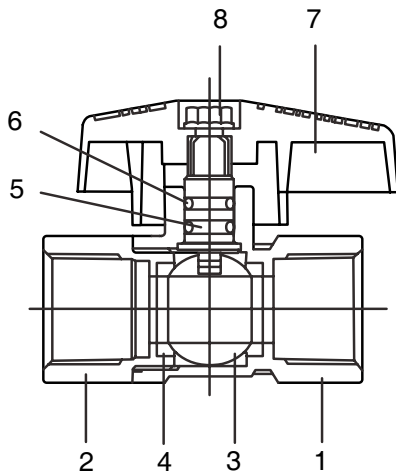
- Solid chrome plated brass ball
- Bottom entry
- Blow out proof design.
- Double viton o-rings stem seals
- Teflon seats for durability.
- Forged construction for greater strength
- Larger ports for increased flow capacity.
- For use with natural, manufactured, mixed Liquefied, petroleum and LP gas-air mixtures.

- Deeper thread connections. Smooth quarter-turn.
- Manufactured to ANSI Z21.15, C.G.A. 9.1-M81, 9.2-M88, 1/2 psig. 372 also to A.G.A. 3-8, C.G.A. CR91-002, 2 psig.
- Red handle.
- May be used with water 400 WOG.

**GAS BALL VALVES
FEMALE x FEMALE**



Part#	Size	Dimension Inches							PN in psi	Box	Case	List
	G	DN	A	B	C	E	CH					
943-312	1/2"	.31	1.96	1.57	3.43	.43	.98	600	20	240	7.25	
943-313	3/4"	.39	1.96	1.57	3.43	.43	1.22	600	14	140	11.50	



	Components	Materials
1	Body	Forged Brass
2	End Connection	Forged Brass
3	Ball	Forged Brass
4	Ball Seats	P.T.F.E.
5	Stem	Brass
6	O-Ring	NBR
7	Butterfly	Steel
8	Screw	UNI 5771 Steel

Life is not a journey to the grave with the intention of arriving safely in a well preserved body, but rather to skid in broad-side, thoroughly used up, totally worn out, and loudly proclaiming...
- WOW - What a ride!

- Andrew Hodes

