

STAINLESS STEEL BALL VALVES

STAINLESS STEEL VALVES

1000 PSI 2 PC FULL PORT STAINLESS STEEL VALVE

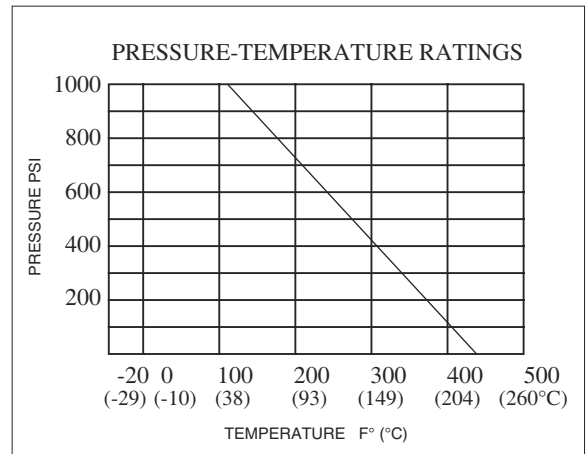
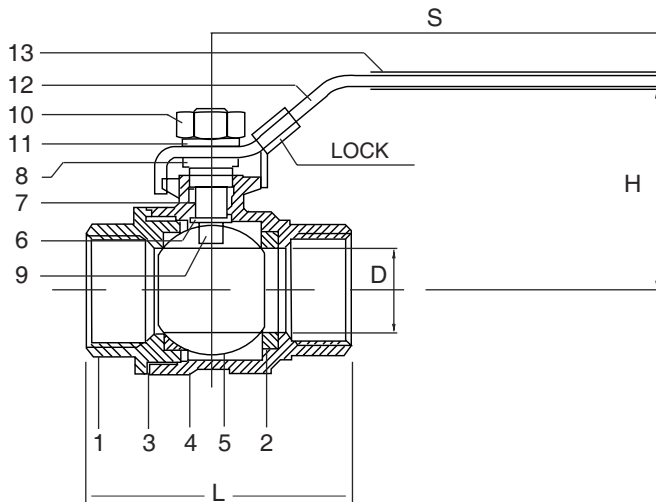
Materials: CFM8M (SS316), DIN 1.4408

Features:

- Investment Casting body
- Working pressure 1000 psi for W.O.G.
- Adjustable stem packing
- Pure teflon seals and seats
- Temperature range: -60 to 450°F
- Blow-out proof stem and safe pressure-reducing hole
- 100% leakage tested at 100 psi air under water
- Hydrostatic test pressure: 1500 psi
- Locking handle w/ yellow generic sleeve



VALVES



NO.	NAME	MATERIAL	QTY
1	CAP	316 SS	1
2	BALL SEAT	PTFE	2
3	JOINT GASKET	PTFE	1
4	BODY	316 SS	1
5	BALL	316 SS	1
6	THRUST WASHER	PTFE	1
7	STEM PACKING	PTFE	1
8	GLAND NUT	304 SS	1
9	STEM	316 SS	1
10	STEM NUT	304 SS	1
11	SPRING WASHER	304 SS	1
12	HANDLE	304	1
13	PLASTIC SLEEVE	PVC	1

Part #	Size	D	L	H	S	Approx. Wt. Lbs.	List Price
949-181	1/4"	0.46	1.84	1.89	4.06	0.44	28.37
949-182	3/8"	0.46	1.91	1.89	4.06	0.55	29.91
949-183	1/2"	0.59	2.28	1.89	4.06	0.66	31.24
949-184	3/4"	0.79	2.56	2.05	4.84	0.77	34.97
949-185	1"	0.98	3.03	2.45	4.84	1.43	54.39

Gigi's Axiom

If you can keep your head when all about you are losing theirs, maybe you just don't understand the situation.



Call Toll Free: 1-866-711-4673

WebSales@GoodyearRubberProducts.com

We Ship World Wide