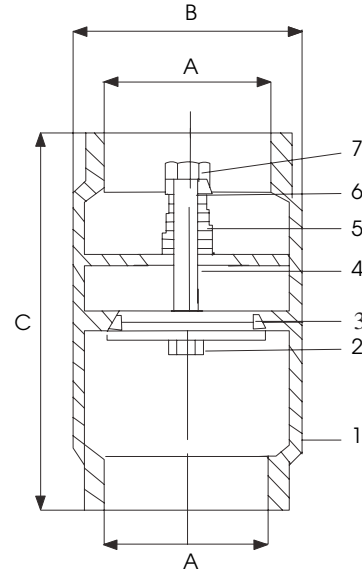


**STAINLESS STEEL  
Check Valve**

- No Lead
- Water wells need a check valve installed above the pumps between lengths of drop pipes

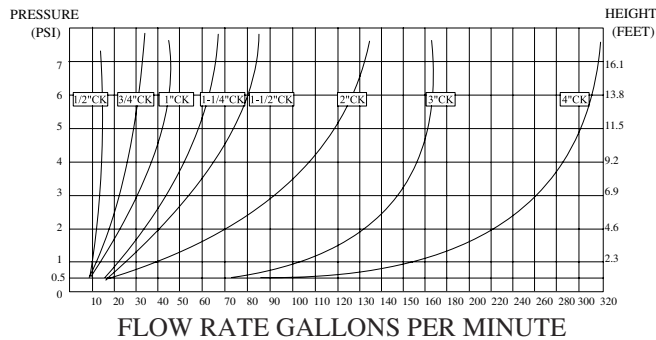
**VALVES**



**Dimensions (Inches)**

Part#	Size	A NPT	B	C	Box	Case	List
949-430	1/2"	1/2"	1.26	2.43	10	100	32.49
949-431	3/4"	3/4"	1.50	2.72	10	80	40.13
949-432	1"	1"	1.77	3.23	10	60	43.91

More sizes available on a special order basis.



NO	Part	Material
1	Body	S.S 304
2	Stopper	S.S 304
3	O-Ring	Viton
4	Washer	PE
5	Spring	S.S 304
6	Cap	S.S 304
7	Nut	S.S 304

See more Check Valves on page 189

