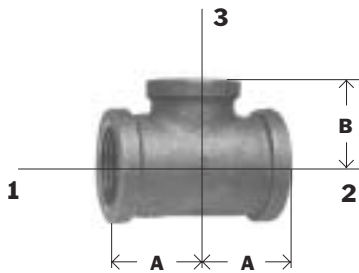


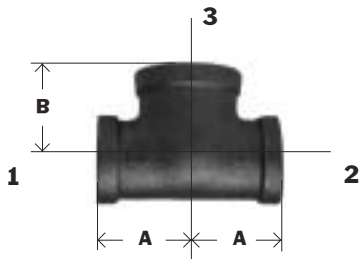
REDUCING TEES



REDUCING ON THE BRANCH

Part #	Size (1 & 2) x 3	A	B	Approx. Wt. Lbs.	List Price
44-276	1/2" x 1/4"	0.87	0.87	0.28	7.24
44-282	3/4" x 1/4"	1.05	1.08	0.38	10.37
44-283	3/4" x 3/8"	1.00	1.00	0.46	12.10
44-286	3/4" x 1/2"	1.08	1.11	0.40	8.64
44-291	1" x 1/2"	1.20	1.24	0.73	18.37
44-298	1" x 3/4"	1.30	1.31	0.71	15.31
44-301	1-1/4" x 1/2"	1.34	1.53	1.18	30.26
44-303	1-1/4" x 3/4"	1.30	1.31	1.08	30.26
44-306	1-1/4" x 1"	1.58	1.67	1.23	30.26

BULLHEAD TEES

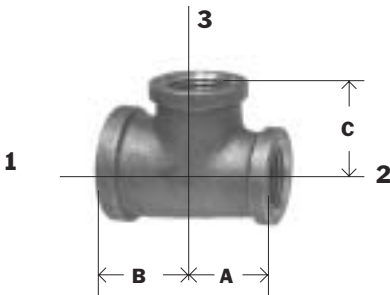


LARGER BRANCH

Part #	Size 1x2x3	A	B	Approx. Wt. Lbs.	List Price
44-280	1/2" x 1/2" x 3/4"	1.22	1.20	0.48	6.83

* Many sizes available...just ask!

REDUCING TEES

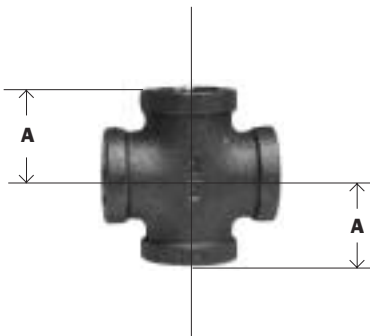


REDUCING ON THE RUN

Part #	Size 1x2x3	A	B	C	Approx. Wt. Lbs.	List Price
44-287	3/4" x 1/2" x 1/2"	1.12	1.20	1.22	0.37	10.70
44-296	1" x 3/4" x 3/4"	1.31	1.37	1.45	0.71	20.28

* Many sizes available...just ask!

CROSSES



Part #	Size	A	Approx. Wt. Lbs.	List Price
44-391	1/4"	0.72	0.20	7.78
44-392	3/8"	0.83	0.29	7.78
44-393	1/2"	1.03	0.43	9.74
44-394	3/4"	1.19	0.59	14.05
44-395	1"	1.19	1.15	21.61
44-396	1-1/4"	1.71	1.70	37.84
44-397	1-1/2"	1.87	1.97	50.44
44-398	2"	2.14	2.52	86.45